

Uniblitz® 710C

Shutter Interconnect Cable

Overview

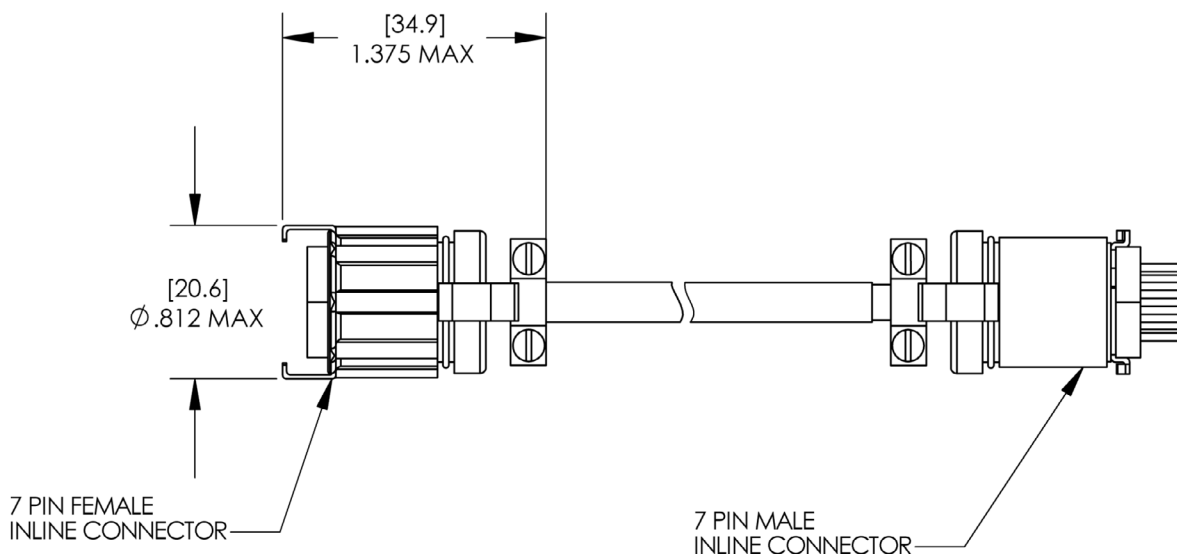
The Uniblitz® 710C shutter interconnect cable is a 7-pin in-line female Wirepro connector to 7-pin in-line male Wirepro connector. 710Cs are supplied with the VMM-D3 and VMM-D4 shutter drivers, but they can be purchased separately.

The length of the 710C is 120.0" (3.0 m).

Key Features

- Length: 120.0" (3.0 m)
- **RoHS Compliant**
- For connecting compatible shutters to VMM-D3 and VMM-D4 shutter drivers
- 7-pin female Wirepro to 7-pin male Wirepro

Technical Drawing



Need Support? Please visit our website or email us at info@uniblitz.com.

Tel: +1 585-385-5930 | Fax: 585-385-6004 | 803 Linden Ave. Rochester, NY 14625

Updated 9/23 | Document Version 6.0 | ©2023 Vincent Associates