

Uniblitz® #100

Mounting Ring

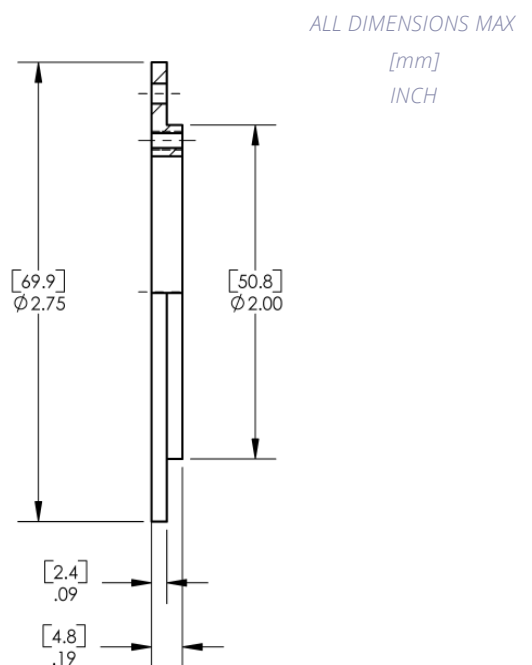
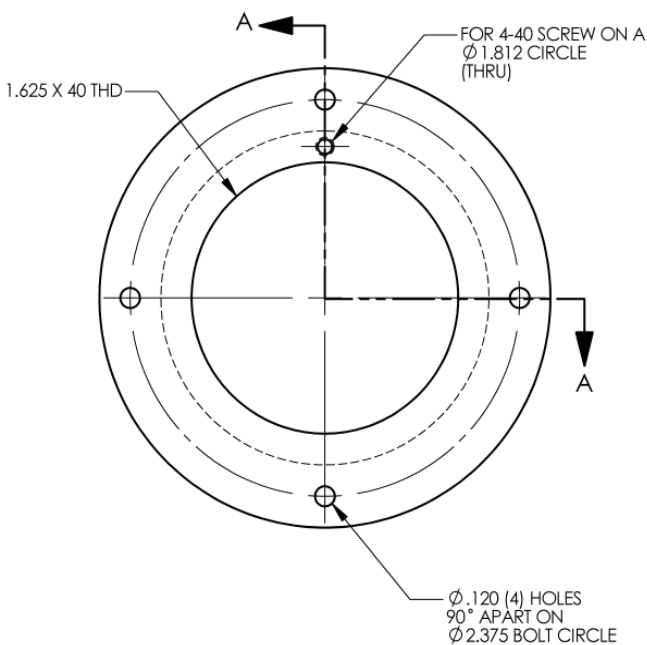
Overview

The Uniblitz #100 mounting ring is a mounting flange that will allow the housed versions of the VS, LS, and XRS series, as well as the CS35 (or any series equipped with a 1.625 in x 40 TPI external thread), to be mounted to a flat surface. The mounting ring would be attached to a flat surface and the shutter would then attach to the ring via the shutter housing's rear thread (1.625 in x 40 TPI).

Key Features

- Compatible with shutters that include 1.625 in x 40 TPI external threads
- Anodized aluminum construction
- **RoHS Compliant**

Technical Drawing



Need Support? Please visit our website or email us at info@uniblitz.com.

Tel: +1 585-385-5930 | Fax: 585-385-6004 | 803 Linden Ave. Rochester, NY 14625

Updated 10/22 | Document Version 6.0 | ©2022 Vincent Associates