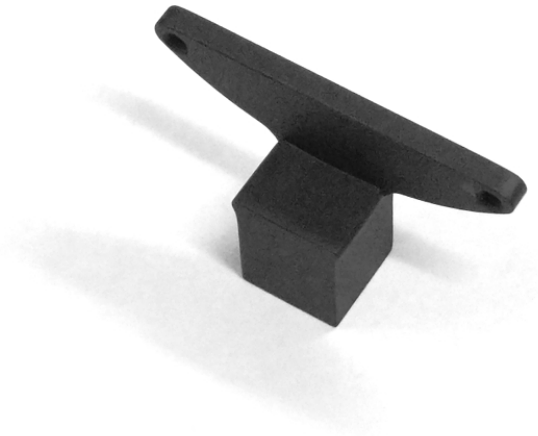


Uniblitz® #150 Mount

AI25 Auto Iris Post Mount Adapter



Overview

The Uniblitz #150 post mount adapter allows the AI25 Auto Iris to be mounted to a 1/4-20 threaded post mount. It's very simple to use: Secure your AI25 with the two nylon-tipped set screws and attach it to any post mount that includes a 1/4-20 thread. Care must be taken to allow the mount to hold the shutter in place, however, do not overtighten nylon tipped screws. Additionally, **do not** use any threadlockers or glues.

Need Support? Please [visit our website](#) or email us at info@uniblitz.com.

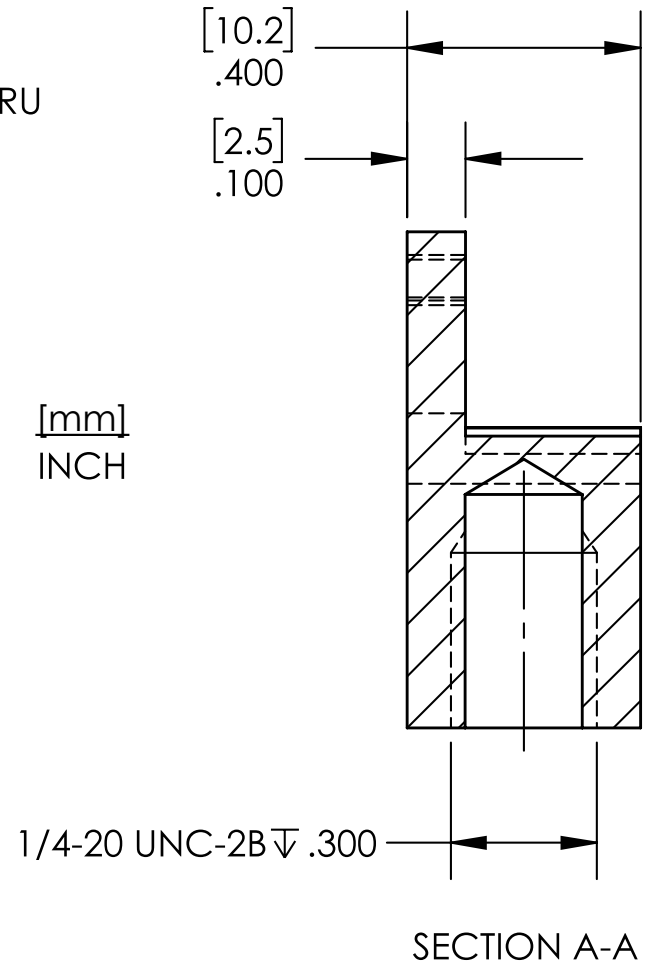
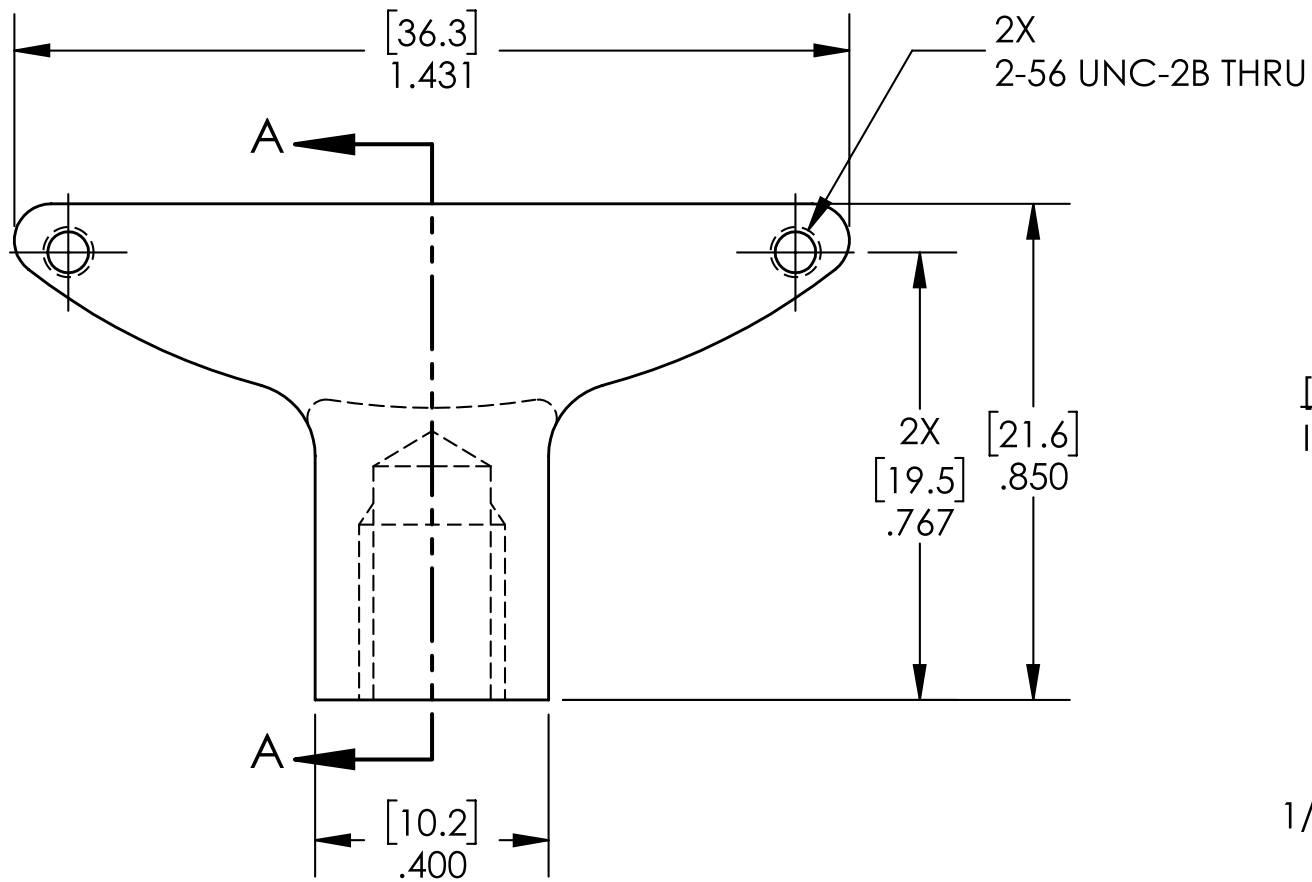
Tel: 585-385-5930 | Toll-Free: 800-828-6972 | Fax: 585-385-6004 | 803 Linden Ave. Rochester, NY 14625

Updated 1/19 | Datasheet Version 5.0 | ©2019 Vincent Associates

Key Features

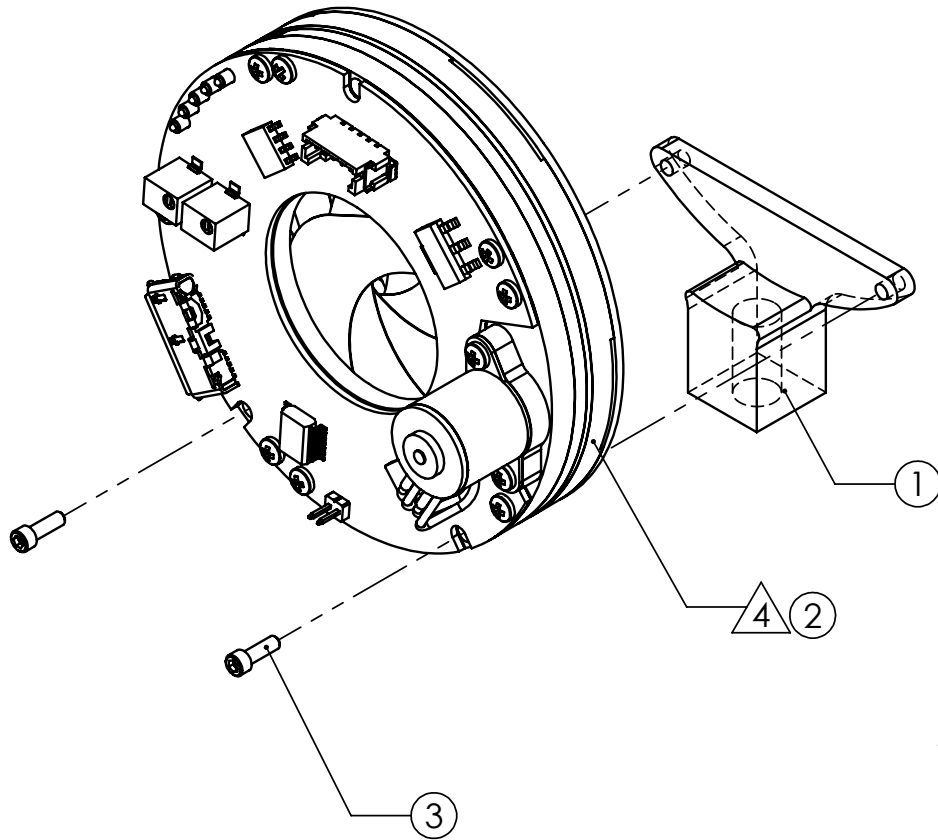
- Used for mounting the **AI25 Auto Iris** to a 1/4-20 threaded post mount
- Nylon-tipped set screws prevent scratching
- Machined aluminum construction
- **RoHS Compliant**

Technical Drawings - Overview



[mm]
INCH

Technical Drawings - Installation



NOTES:

1. ENSURE ESD PROTECTION IS UTILIZED THROUGHOUT THE INSTALLATION PROCEDURE.
2. ORIENT AND ALIGN TWO (2) #2-56 THRU HOLES ON ITEM (2) TO ITEM (1) #2-56 THREADED HOLES, AS SHOWN.
3. SECURE AND FASTEN ITEM (2) TO ITEM (1) WITH TWO (2) (3) #2-56X5/8" SOCKET HEAD SCREWS (PROVIDED), TORQUE TO 25IN-OZ MAX.
4. IF ITEM (2) IS P/N: AI25N1T, 25MM IRIS ONLY, USE ITEM (4) #2-56X3/8" SOCKET HEAD SCREWS (PROVIDED) TO SECURE AND FASTEN ITEM (2) (AI25N1T), TORQUE TO 25IN-OZ MAX.
5. DO NOT USE THREADLOCKER OR LOCTITE!

4	20-0325	2-56X3/8 S.S. B.O. SOCKET HEAD SCREW	2
3	20-0324	2-56X5/8 S.S. B.O. SOCKET HEAD SCREW	2
*2	AI25N1T	25MM IRIS ONLY	1
	AI25S1T	25MM IRIS EQUIPPED WITH 25MM SHUTTER	1
1	9003-0577	#150 MOUNT	1
ITEM	PART NO	DESCRIPTION	QTY.
PARTS LIST			