



USER MANUAL

#28 Olympus Type Microscope Mount Set

14-0010

Version 2.00

2013

For information regarding applicable intellectual property, please visit www.uniblitz.com/patents.

Information in this publication supersedes that in all previously published material. Due to our ongoing development program, Vincent Associates reserves the right to discontinue or change specifications or designs, at any time, without incurring any obligation.

Version 2.00

2013

Vincent Associates, a Division of VA, Inc.
803 Linden Ave.
Rochester, NY 14625

Tel: 585-385-5930
Fax: 585-385-6004

UNIBLITZ[®], **N-CAS[®]** and **VINCENT ASSOCIATES[®]** are registered trademarks of VA, Inc.

Printed in the U.S.A.

Warranty

LIMITED PRODUCT WARRANTY: All Products manufactured by VINCENT ASSOCIATES® (MANUFACTURER) are warranted to meet published specifications and to be free of defects in materials and workmanship as defined in the specifications for 365 days - one year - (WARRANTY PERIOD) from the date of original shipment of the product. DSS series shutters are additionally warranted to achieve two million cycles within the WARRANTY PERIOD (as defined in the CYCLE WARRANTY CRITERION). MANUFACTURER will, at its own option within the WARRANTY PERIOD, repair or replace without charge any listed item discovered to be defective excepting transportation charges. Burned out or otherwise damaged actuator coils are not covered under this warranty. Any defective product returned to the MANUFACTURER must follow the RETURN MATERIAL AUTHORIZATION PROCEDURE as defined below. This warranty does not extend to cover damage resulting from alteration, misuse, negligence, abuse, normal wear and tear, or accident. The MANUFACTURER will consider the return of unused equipment if returned within 30 days from the original date of shipment, subject to a 20% restocking charge. This offer does not apply to used or damaged equipment. This warranty extends only to the original purchase and is not available to any third party, including any purchaser assemblies or other Products of which the goods may become component equipment.

CYCLE WARRANTY CRITERION: One "cycle" is considered one open and one closure of the shutter. DSS Shutter must be operated with the ED12DSS driver or equivalent H-Bridge type shutter driver circuit at +10.7VDC across the actuator coil for the specified duration. DSS Shutter must be operated within the defined environmental, electrical and mechanical specifications as listed on the device's data sheet. After one year (WARRANTY PERIOD), the cycle warranty is null and void. If returned, the device must be accompanied by a written statement indicating the approximate number of cycles contained on the device, include all parameters to which the shutter was operated and follow the RETURN MATERIAL AUTHORIZATION PROCEDURE as defined below.

RETURN MATERIAL AUTHORIZATION PROCEDURE: MANUFACTURER will only accept returned Products from customers that have obtained an RMA (Return Material Authorization) number from the MANUFACTURER. The customer must also include an itemized statement of defect(s). The Product will then be evaluated per the MANUFACTURER'S standard repair guidelines. Any Product which has been returned to the MANUFACTURER but which is found to meet the applicable specifications and not defective in materials and workmanship shall be subject to the MANUFACTURER's standard evaluation charge. The MANUFACTURER assumes no liability for customer returned material.

LIMIT OF LIABILITY: The buyer's exclusive remedy and the limit of MANUFACTURER'S liability for any loss whatsoever shall not exceed the purchase price paid by the buyer for the goods to which a claim is made. MANUFACTURER does not give any implied warranties of merchantability, fitness for a particular purpose, or of any other nature in connection with the sale of any Products.

Table of Contents

WARRANTY	3
TABLE OF CONTENTS	4
INTRODUCTION.....	5
ASSEMBLY INSTRUCTIONS.....	5
SPECIFICATIONS	8

Introduction

The #28 mount set adapts housed configurations of the VS, LS, and XRS series shutters, as well as the CS25 and CS35, to the transmitted light output of the IX-ILL100 or the IX-ILL100LH Illumination pillars of the IX50 and IX70 Olympus type microscopes. The user would mount the mount plate/dovetail assembly of the #28 mount to the illuminator using user-supplied screws. No modification to the microscope should be necessary. A clearance cutoff (1.38in./35.1mm from the aperture center) is provided with the VS series only.

Assembly Procedure

Mount Assembly

Unpack the Mount Set

As you remove the packing material from the box, check for small items that may be attached to the packing material. Make sure the following parts were included in the box:
(see parts list table and Figure 1)

#28 Mount Set Parts List			
ITEM	PART NAME	QUANTITY	PART NUMBER
1	LS/VS14/VS25/VS35 SHUTTER	1	N/A
2	#28 OLYMPUS MOUNTING PLATE	1	9001-272
3	#21 REAR ADAPTER	1	9003-212
4	#21 FRONT ADAPTER	1	9003-225
5	6-32x3/8 SET SCREW	3	20-0155
6	M3x8 FLAT HEAD SCREW	4	20-0179
7	2-56x5/16 PHIL FLAT HEAD SCREW	3	20-0104

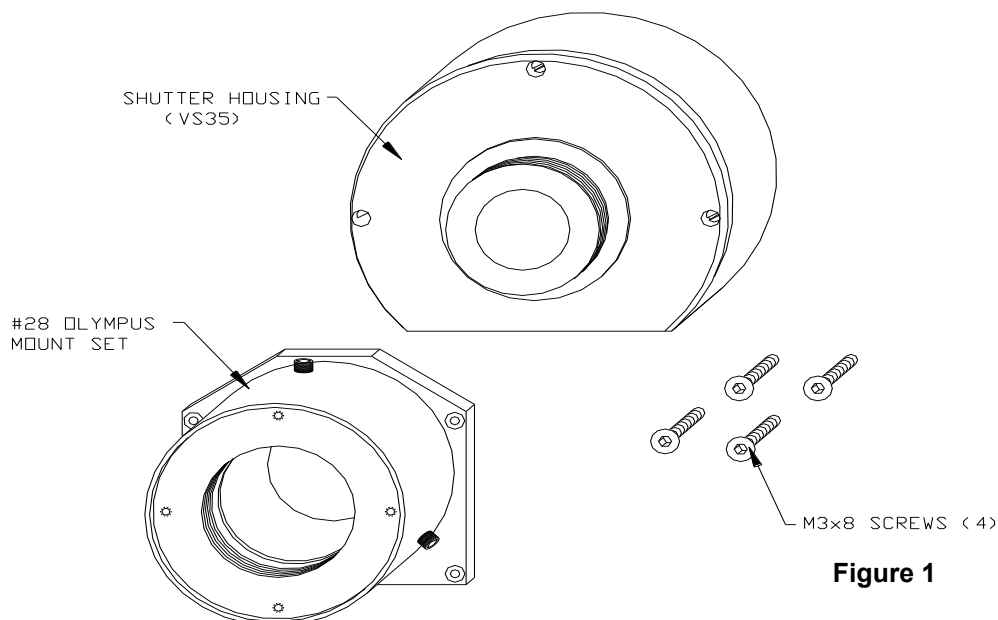


Figure 1

INSTALLATION STEPS:

Step One:

Unscrew the set screws on #28 mount set, remove #21 rear adapter from the #28 mount set sub-assembly.

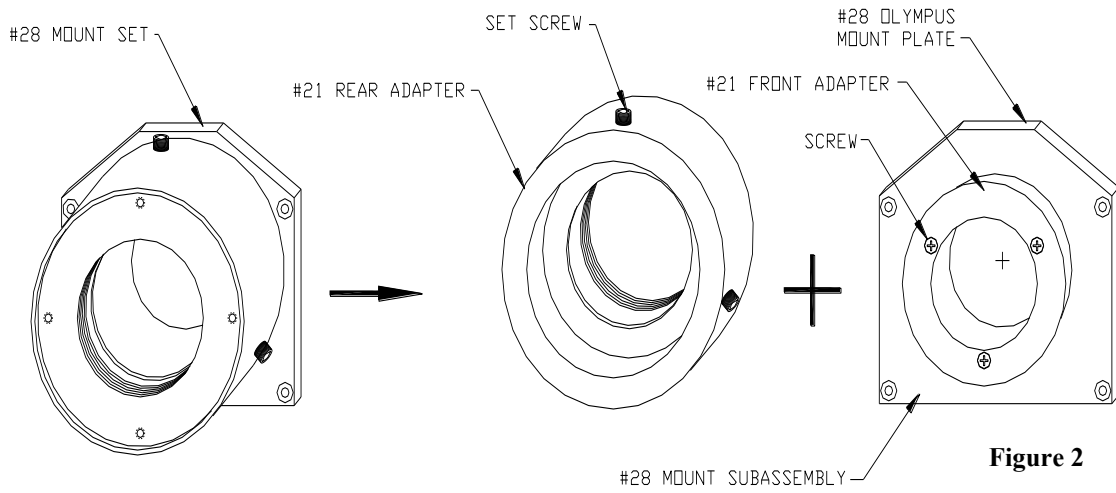


Figure 2

Step Two:

Screw the #21 rear adapter onto the shutter housing tightly. (see Figure 3)

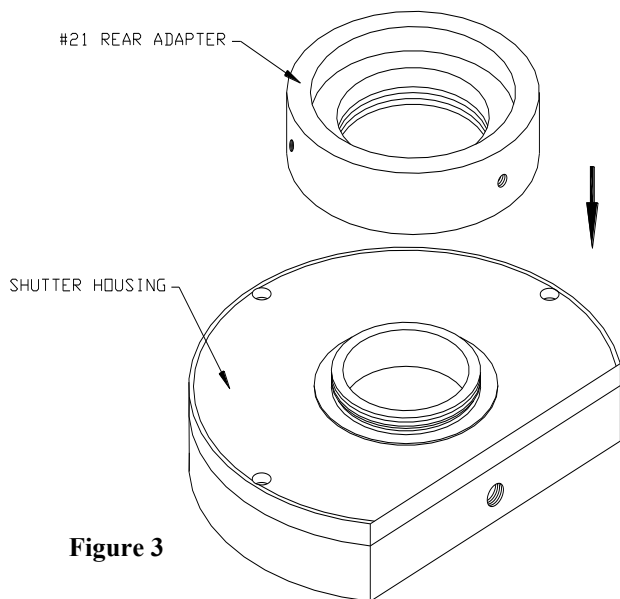


Figure 3

Step Three:

Attach #28 mount subassembly to SCOPE with (4) M3x8 flat head screws. (see Figure 4)

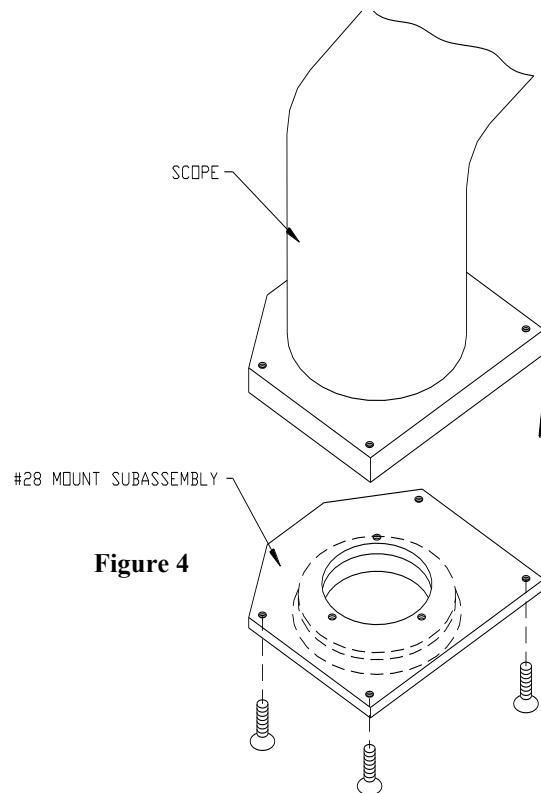


Figure 4

Step Four:

Attach #21 rear adapter with shutter housing to the #21 front adapter sub-assembly, align as required, using (3) set screw to hold shutter in place. (see Figure 5)

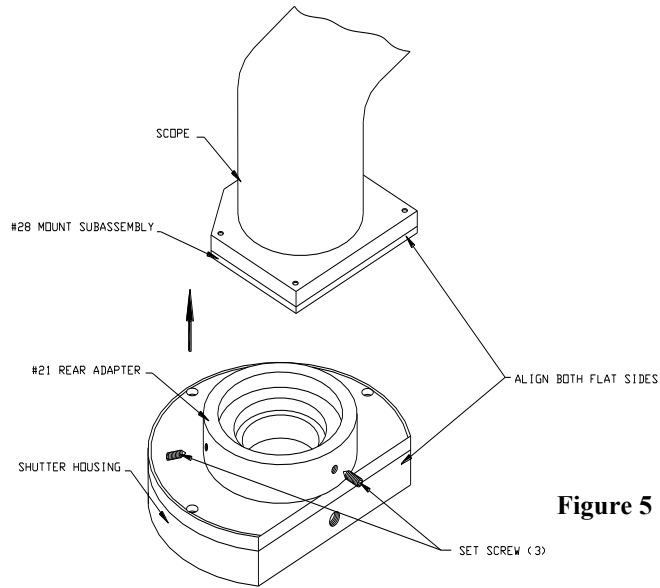


Figure 5

Step Five:

Final installation as shown. (see Figure 6,7)

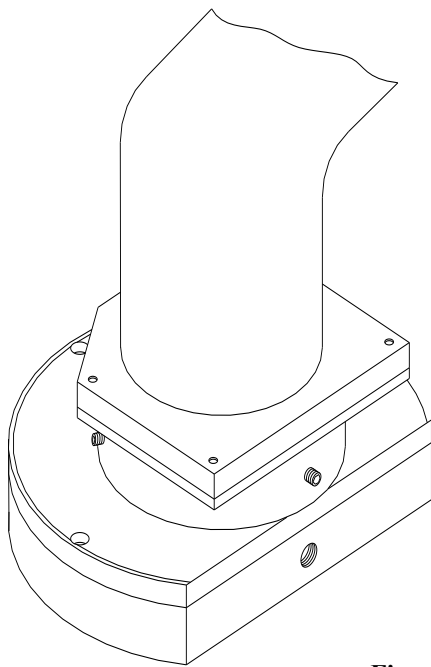


Figure 6

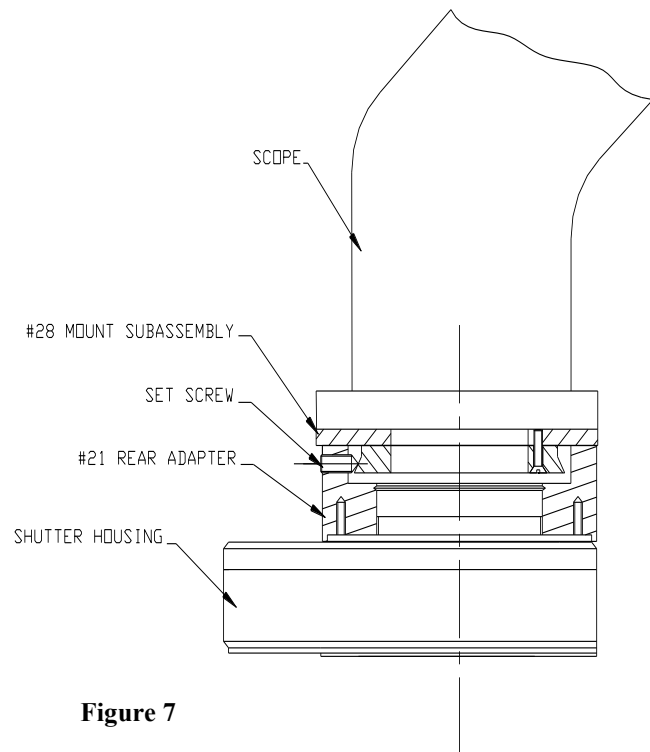
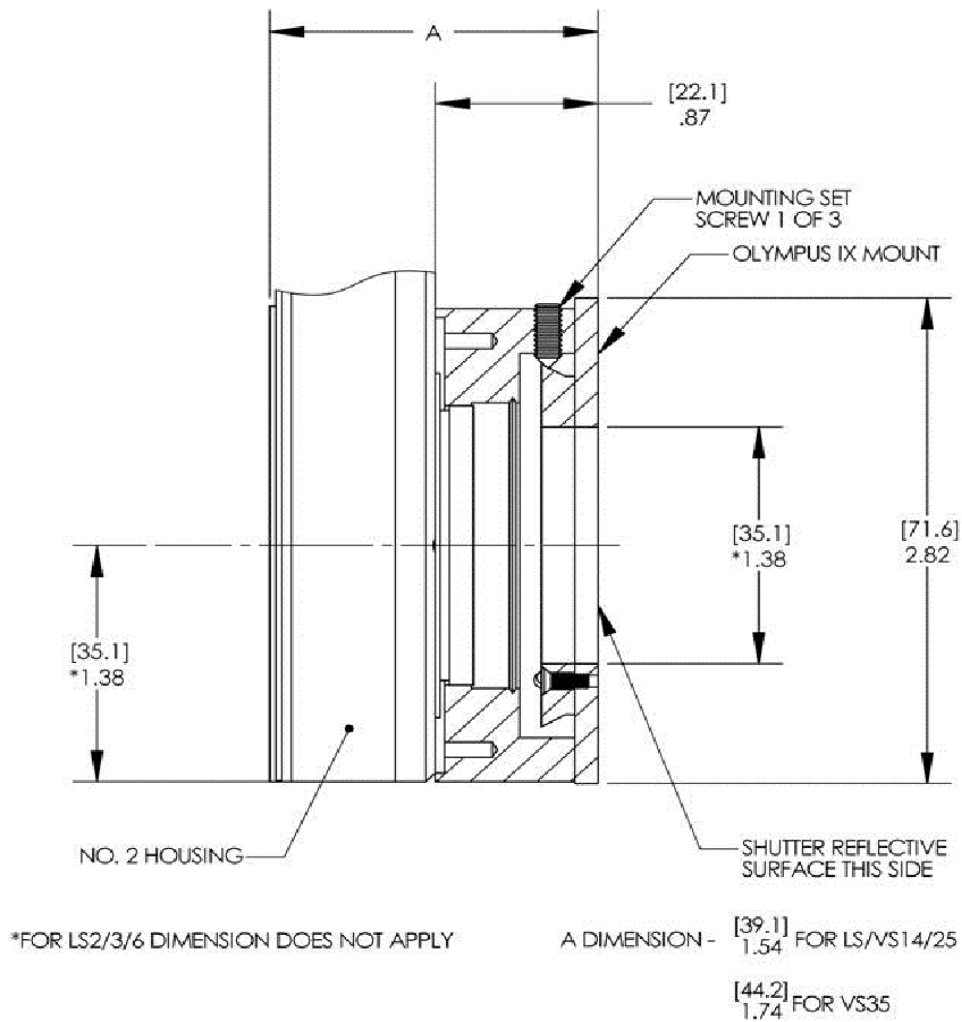


Figure 7

Specifications



ALL DIMENSIONS MAX

[mm]

INCH

Due to our ongoing product development program, Vincent Associates reserves the right to discontinue or change specifications at any time, without incurring and obligations. Teflon is a registered trade mark of E.I. Dupont U.S. Pat No.3.427.293.6,652,165.

Drawings shown for illustrative purposed only.

Updated 9/2013