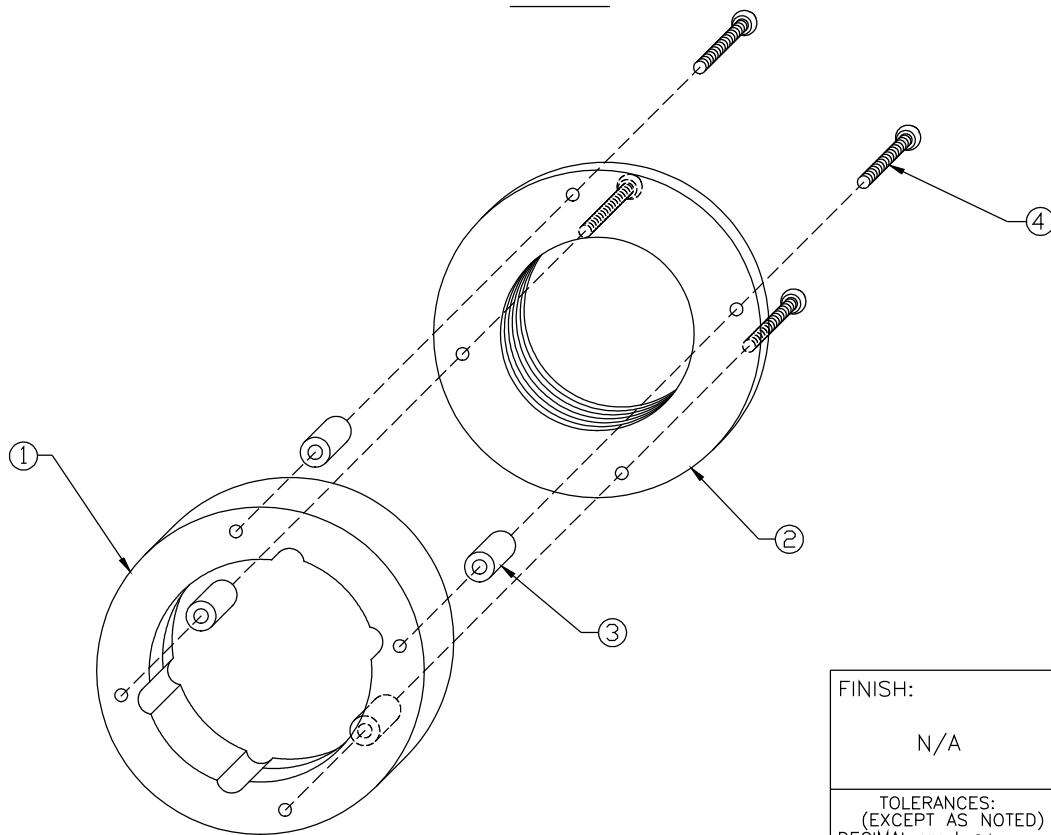
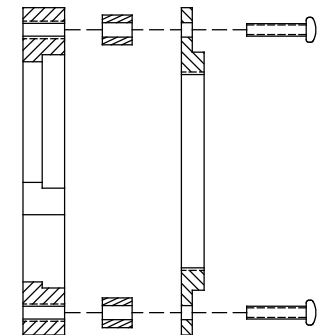


VIEW B




VIEW A

NOTES:

1. ASSEMBLE REAR MOUNT ① TO MOUNTING RING ②, WITH SCREWS ④, AND SPACERS ③, AS SHOWN IN VIEW A.
2. NOTE FINAL ASSEMBLY SHOWN IN VIEW B.

ITEM	PART NO.	DESCRIPTION	QTY.
4	20-0165	4-40 x 1/2 PAN HD. SCREW	4
3	20-0019	1/4 x 1/4 #4 ROUND SPACER	4
2	6-0100	STANDARD MOUNTING RING	1
1	9003-242	LEITZ REAR MOUNT	1
PARTS LIST			

FINISH: N/A	MATERIAL: N/A	 VINCENT ASSOCIATES Rochester, NY 14607		
		TITLE: LEITZ #25 MOUNT REAR ASSEMBLY	DRAWN: Kris A. SCALE: NONE	
TOLERANCES: (EXCEPT AS NOTED) DECIMAL: xx ± .01 xxx ± .005 FRACTIONAL: ± 1/32 ANGULAR: ± 1°	REMOVE ALL BURRS	FILE NAME: LEITZRA.DWG	APPROVED BY:	DATE: 6/19/96 REVISED:
	BREAK SHARP EDGES	SHEET 1 OF 1	SIZE B	REV. DRAWING NO. 9012-454