

Uniblitz® 5F Connector (2 Pack)

5-Pin Switchcraft® Female Connector



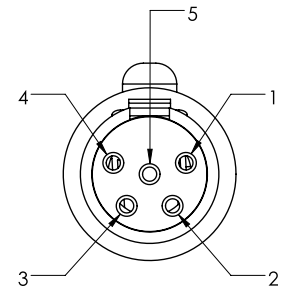
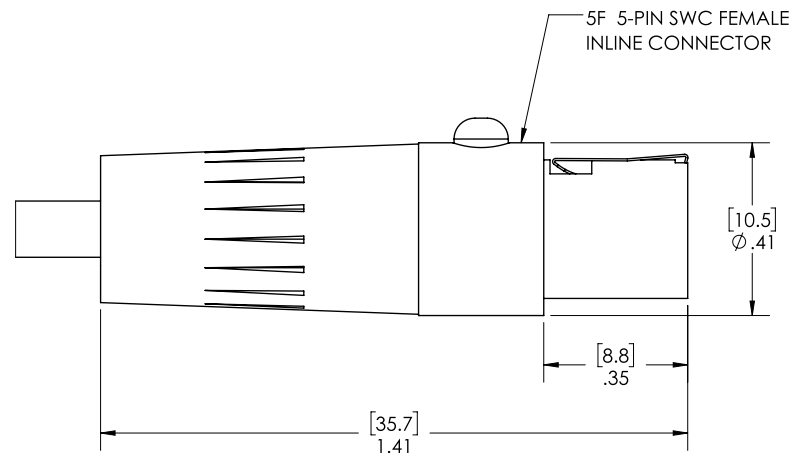
Overview

The Uniblitz 5F connectors are 5-Pin Switchcraft female connectors.

They can be used to connect to a shutter terminated with their male counterpart, the 5M connectors.

Two (2) 5F connectors are included in this set.

Technical Drawings



[MM]
INCH

Need Support? Please [visit our website](http://www.uniblitz.com) or email us at info@uniblitz.com.

Tel: 585-385-5930 | Toll-Free: 800-828-6972 | Fax: 585-385-6004 | 803 Linden Ave. Rochester, NY 14625

Updated 8/17 | Datasheet Version 5.0 | ©2017 Vincent Associates