

## FEATURES

- Patented drive circuit as contained within our bench top, line operated, UNIBLITZ® shutter controller systems.
- Open frame printed circuit card mounted to an aluminum chassis. (See Figure 1)
- Power input: 115/230VAC 50/60 Hz. - user selectable by on board switch.
- Pluggable 9 position I/O connector and 3 position AC connector.
- Easily interfaces with electronic synchronization system.
- Output provided for electronic synchronization system.
- Exposure determined by external pulse source.
- Size (HWD) 2.125 x 3.750 x 5.375 inches (53.975 x 95.250 x 136.53 mm)
- Weight 20 oz. (0.6 Kg.)

The 122-BP is a self contained shutter driver utilizing circuitry to operate Vincent UNIBLITZ shutters.

The unit operates from a 115/230VAC. The line input voltage is user selectable via on board switch. It can be easily integrated into OEM applications which have this supply voltage available, no user provided power supply is required.

Another feature of the 122-BP is the pluggable input/output screw terminal connector for quick removal of the board without having to remove any wires connected to the terminal block.

Supplying a TTL (5V) logic level to the trigger input or connecting a mechanical or electronic switch between the trigger input and the +6.75VDC output is all that is required to control the 122-BP.

## OPTIONS

710P - (7-pin female to 7-wire pigtail). For connection between the shutter and the CCS-5 shutter driver.

### TS1 Connections:

- #1 - 115/230VAC Neutral
- #2 - 115/230VAC Line
- #3 - Earth GND

### TS2 Connections:

- #1 - GND - GRN/BRN (D,H)
- #2 - Sync. Output
- #3 - Signal GND
- #4 - Trigger Input, active-high
- #5 - Sync. 6.75VDC - BLU (F)
- #6 - Shutter - BLK (B)
- #7 - Shutter - RED (A)
- #8 - Sync. Trans. - ORN (E)
- #9 - Sync. Diode - WHT (C)

### Notes:

1. Wire colors denote 710P cable.
2. For use with all shutter types.
3. Continuously variable frequency of exposure from DC to shutter's maximum value. For further information regarding shutter maximum operation frequency and duty cycle, please consult factory.

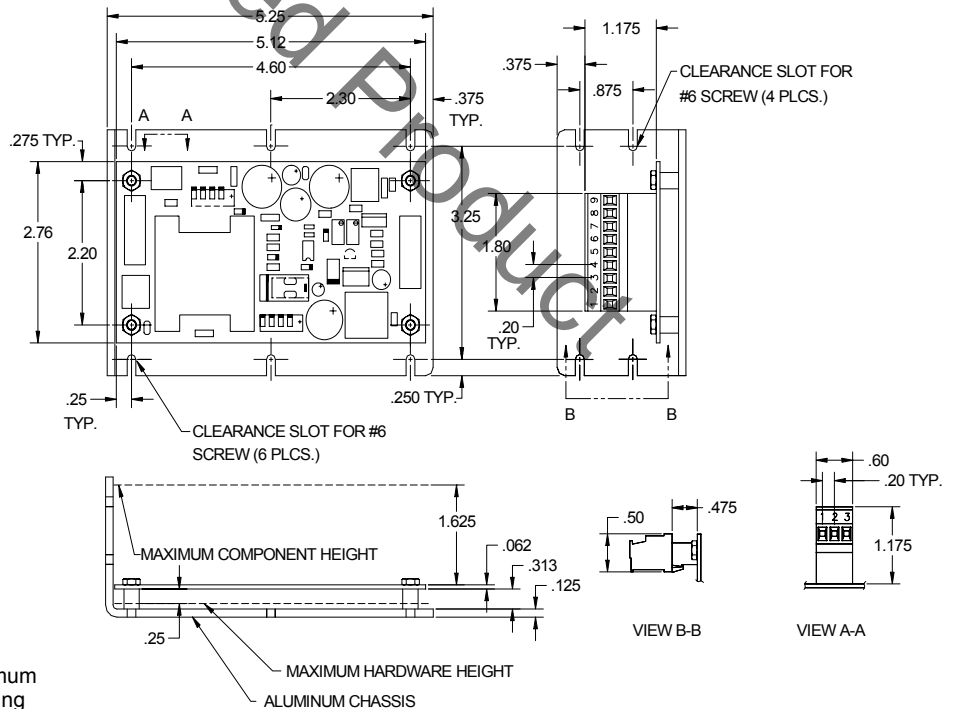


Figure 1