

710R/F Shutter Interconnect Cable

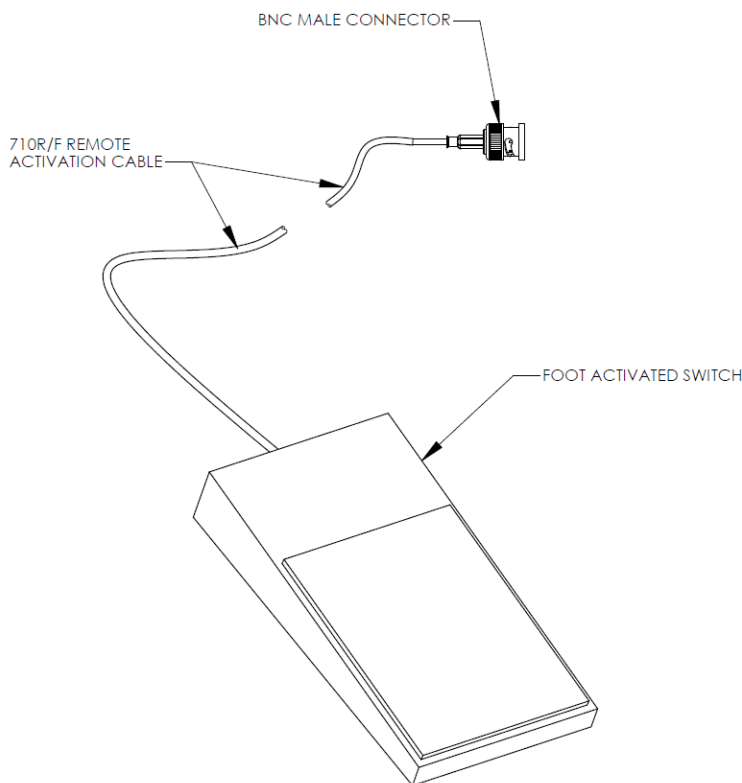
Overview

- 710R/F-(BNC male to foot activated switch.) For remote manual operation of the VMM-D1 or the VCM-D1 this 10 ft. remote activate cable is available.
- The 710R/F connects to any VMM-D1 or VCM-D1 input BNC connector.
- Upon depression of the foot activated switch, the selected input BNC function will be activated. (A hand held pushbutton switch can be substituted for the foot activated type; please order 710R.)



Fig. 1 710R/F Shutter Interconnect Cable

Drawings



For information regarding applicable intellectual property, please visit www.uniblitz.com/patents.

803 Linden Avenue • Rochester, NY 14625 • 585-385-5930 tel • 800-828-6972 toll-free • 585-385-6004 fax • www.uniblitz.com

Due to our ongoing product development program, Vincent Associates reserves the right to discontinue or change specifications or designs at any time, without incurring any obligations. Teflon is a registered trademark of E.I. DuPont. Drawings shown for illustrative purposes only. Updated 06/13. *Specification sheet Ver. 1.1*