

# 710P Shutter Interconnect Cable

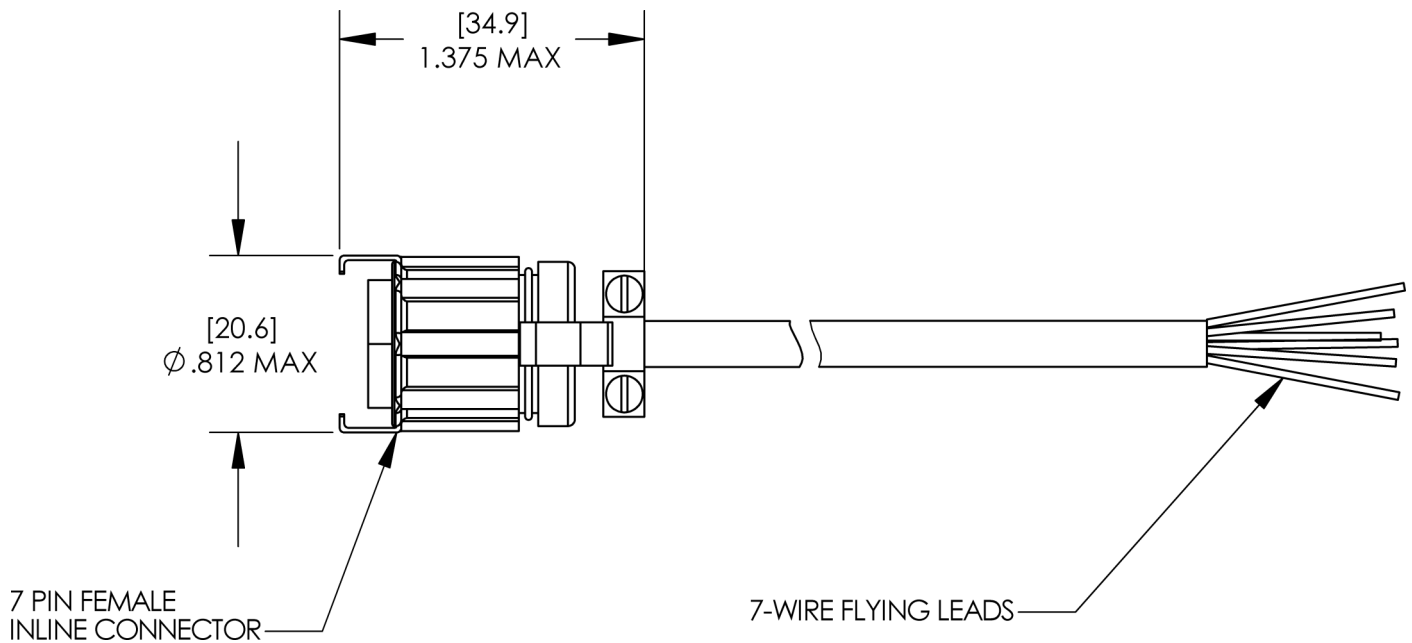
## Overview

- 710P Cable - Shutter to OEM Drive Unit interconnecting cable: (7-pin in-line female connector to 7-wire flying leads, 10ft. length.)
- Supplied with D880C OEM driver or can be purchased separately.



*Fig. 1 710P Shutter Interconnect Cable*

## Drawings



For information regarding applicable intellectual property, please visit [www.uniblitz.com/patents](http://www.uniblitz.com/patents).

803 Linden Avenue • Rochester, NY 14625 • 585-385-5930 tel • 800-828-6972 toll-free • 585-385-6004 fax • [www.uniblitz.com](http://www.uniblitz.com)

Due to our ongoing product development program, Vincent Associates reserves the right to discontinue or change specifications or designs at any time, without incurring any obligations. Teflon is a registered trademark of E.I. DuPont. Drawings shown for illustrative purposes only. Updated 06/13. *Specification sheet Ver. 1.1*