

# #134 Post Mount Adapter

## Overview

- The #134 post mount adapter allows the TS, NS, and DSS series of shutters to be mounted to a 1/4-20 threaded post mount.
- Simple to use: Secure your device with the two nylon-tipped set screws and attach to any post mount that includes a 1/4-20 thread.

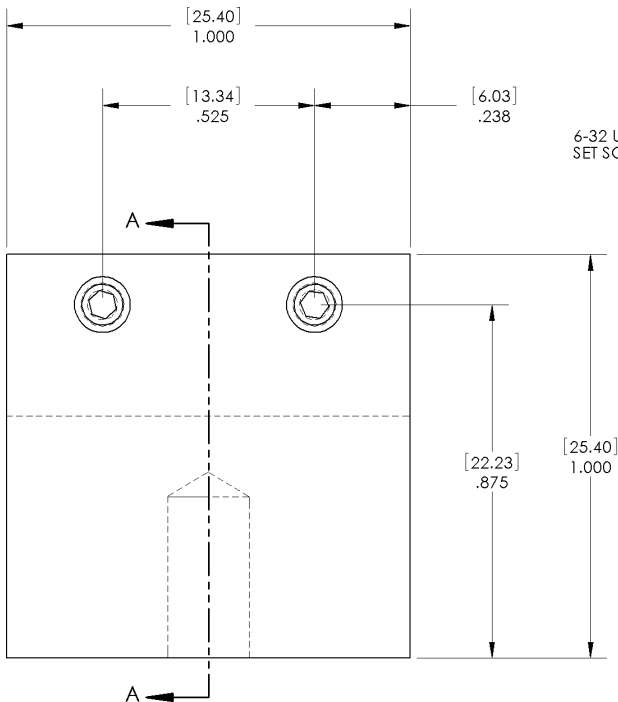
*Note: Care must be taken to allow the mount to hold the shutter in place, however, do not over tighten nylon tipped set screws. Over tightening can cause irreparable damage to the shutter used.*



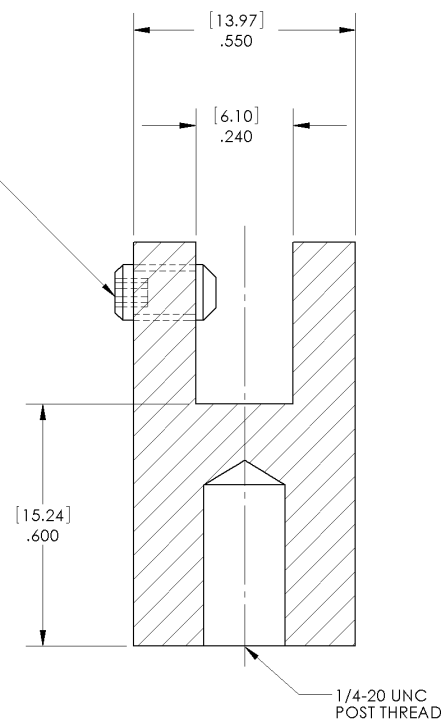
Fig. 1 #134 Post Mount Adapter

## Drawings

### Side View



### Front View



ALL DIMENSIONS

[MM]  
INCH

For information regarding applicable intellectual property, please visit [www.uniblitz.com/patents](http://www.uniblitz.com/patents).

803 Linden Avenue • Rochester, NY 14625 • 585-385-5930 tel • 800-828-6972 toll-free • 585-385-6004 fax • [www.uniblitz.com](http://www.uniblitz.com)

Due to our ongoing product development program, Vincent Associates reserves the right to discontinue or change specifications or designs at any time, without incurring any obligations. Teflon is a registered trademark of E.I. DuPont. Drawings shown for illustrative purposes only. Updated 06/13. *Specification sheet Ver. 1.1*