



USER MANUAL

#102 Mounting Ring

14-0010

Version 2.01

2016

For information regarding applicable intellectual property, please visit www.uniblitz.com/patents.

Information in this publication supersedes that in all previously published material. Due to our ongoing development program, Vincent Associates reserves the right to discontinue or change specifications or designs, at any time, without incurring any obligation.

Version 2.01

2016

Vincent Associates, a Division of VA, Inc.

803 Linden Ave.

Rochester, NY 14625

Tel: 585-385-5930

Fax: 585-385-6004

UNIBLITZ[®], **N-CAS[®]** and **VINCENT ASSOCIATES[®]** are registered trademarks of VA, Inc.

Printed in the U.S.A.

Warranty

LIMITED PRODUCT WARRANTY: All Products manufactured by VINCENT ASSOCIATES® (MANUFACTURER) are warranted to meet published specifications and to be free of defects in materials and workmanship as defined in the specifications for 365 days - one year - (WARRANTY PERIOD) from the date of original shipment of the product. DSS series shutters are additionally warranted to achieve two million cycles within the WARRANTY PERIOD (as defined in the DSS SERIES CYCLE WARRANTY CRITERION). MANUFACTURER will, at its own option within the WARRANTY PERIOD, repair or replace without charge any listed item discovered to be defective excepting transportation charges. Burned out or otherwise damaged actuator coils are not covered under this warranty. Any defective product returned to the MANUFACTURER must follow the RETURN MATERIAL AUTHORIZATION PROCEDURE as defined below. This warranty does not extend to cover damage resulting from alteration, misuse, negligence, abuse, normal wear and tear, or accident. The MANUFACTURER will consider the return of unused equipment if returned within 30 days from the original date of shipment, subject to a 20% restocking charge. This offer does not apply to used or damaged equipment. This warranty extends only to the original purchase and is not available to any third party, including any purchaser assemblies or other Products of which the goods may become component equipment.

DSS SERIES CYCLE WARRANTY CRITERION: The DSS10B, DSS20B and DSS25B, are guaranteed for 2,000,000 operations or one year. DSS35B devices are guaranteed for 5,000,000 operations or one year. One "operation" is considered one opening and one closure of the shutter. DSS Shutters (excluding the DSS35B) must be operated with the ED12DSS or VED24 driver. The DSS35B shutter devices must be operated with the VED24 driver. All DSS Shutters must be operated within the defined environmental, electrical and mechanical specifications as listed on the device's data sheet. After one year (WARRANTY PERIOD), the cycle warranty is null and void. If returned, the device must be accompanied by a written statement indicating the approximate number of cycles contained on the device, include all parameters to which the shutter was operated and follow the RETURN MATERIAL AUTHORIZATION PROCEDURE as defined below.

RETURN MATERIAL AUTHORIZATION PROCEDURE: MANUFACTURER will only accept returned Products from customers that have obtained an RMA (Return Material Authorization) number from the MANUFACTURER. The customer must also include an itemized statement of defect(s). The Product will then be evaluated per the MANUFACTURER'S standard repair guidelines. Any Product which has been returned to the MANUFACTURER but which is found to meet the applicable specifications and not defective in materials and workmanship shall be subject to the MANUFACTURER's standard evaluation charge. The MANUFACTURER assumes no liability for customer returned material.

LIMIT OF LIABILITY: The buyer's exclusive remedy and the limit of MANUFACTURER'S liability for any loss whatsoever shall not exceed the purchase price paid by the buyer for the goods to which a claim is made. MANUFACTURER does not give any implied warranties of merchantability, fitness for a particular purpose, or of any other nature in connection with the sale of any Products.

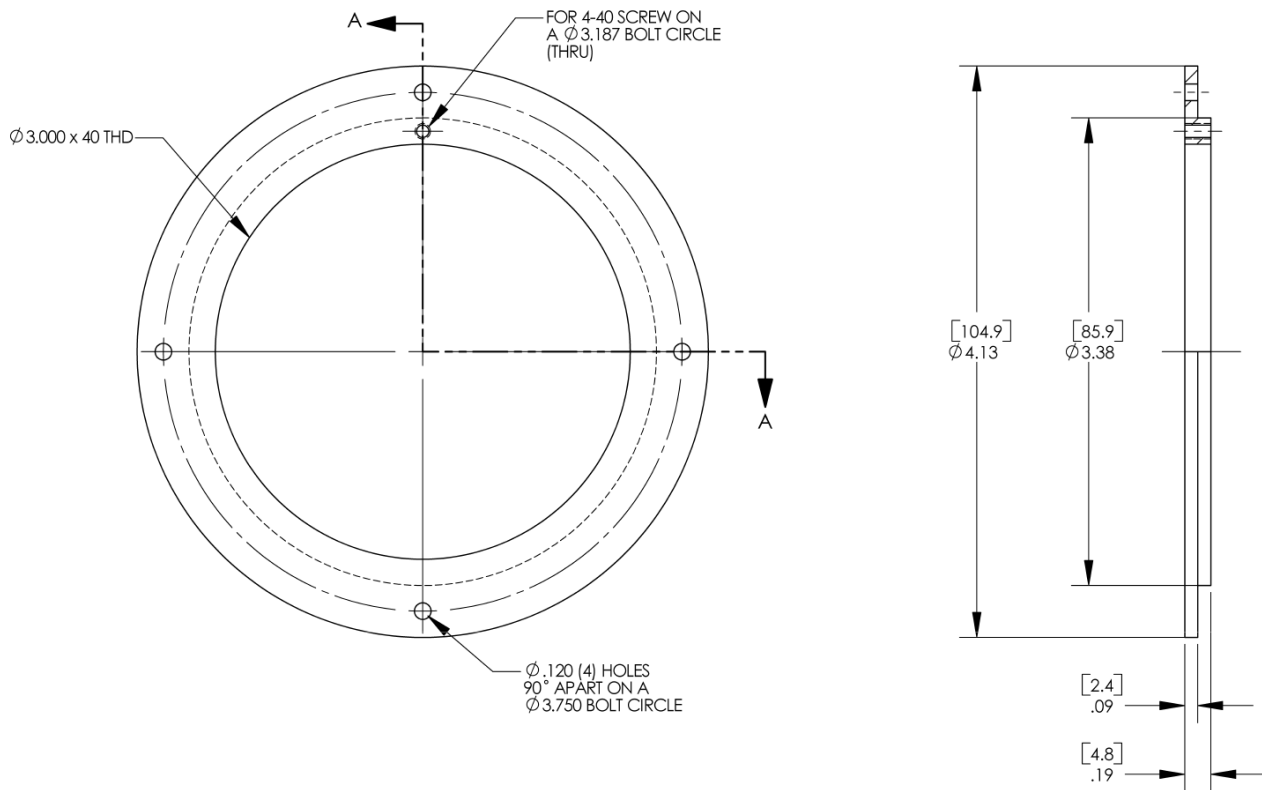
Table of Contents

WARRANTY	3
TABLE OF CONTENTS.....	4
INTRODUCTION	5
MOUNT ASSEMBLY.....	5
ASSEMBLY PROCEDURE	6

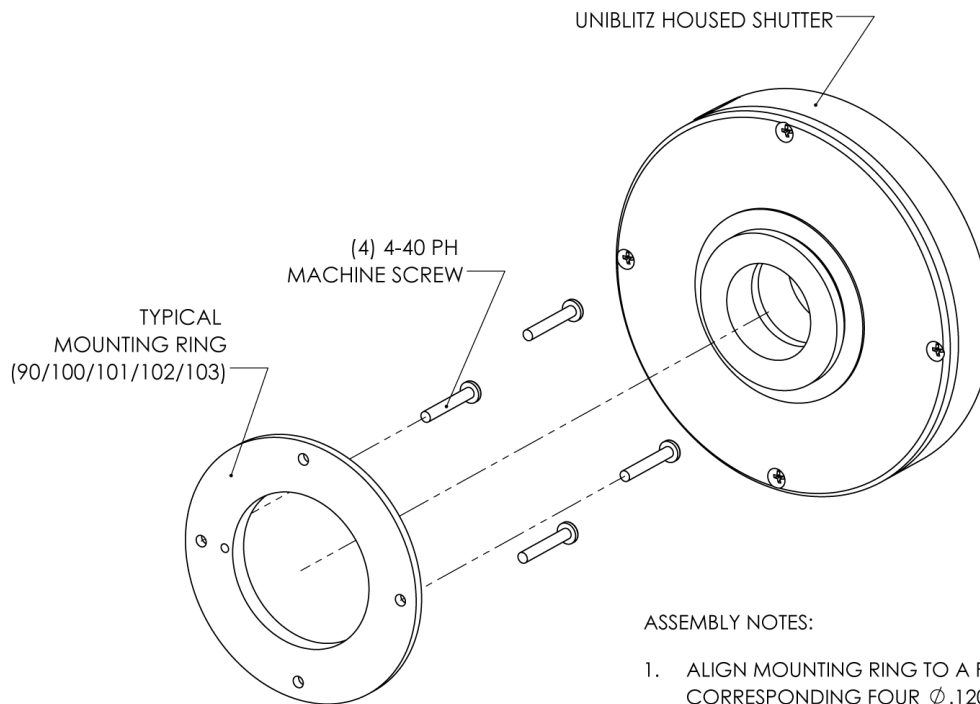
Introduction

The #102 mounting ring will allow the CS65 series only to be mounted to a flat surface. The mounting ring would be attached to a flat surface using the four .120 inch diameter holes. The shutter would then attach to the ring via the #2 housing rear thread (3.00 inch x 40TPI).

See #102 drawing below:



Assembly Procedure



ASSEMBLY NOTES:

1. ALIGN MOUNTING RING TO A FLAT SURFACE WITH THE CORRESPONDING FOUR $\varnothing .120$ THRU HOLES.
2. USE FOUR #4-40 PAN HEAD MACHINE SCREWS (NOT PROVIDED) TO SECURE MOUNTING RING TO A FLAT SURFACE.
3. ATTACH UNIBLITZ SHUTTER TO THE SECURED MOUNTING RING BY THREADING THE SHUTTER MALE REAR OPTICAL THREAD TO THE MOUNTING RING FEMALE OPTICAL THREAD.
4. USE CAUTION WHEN ATTACHING OPTICAL THREADS TO PREVENT STRIPPING THREADS.