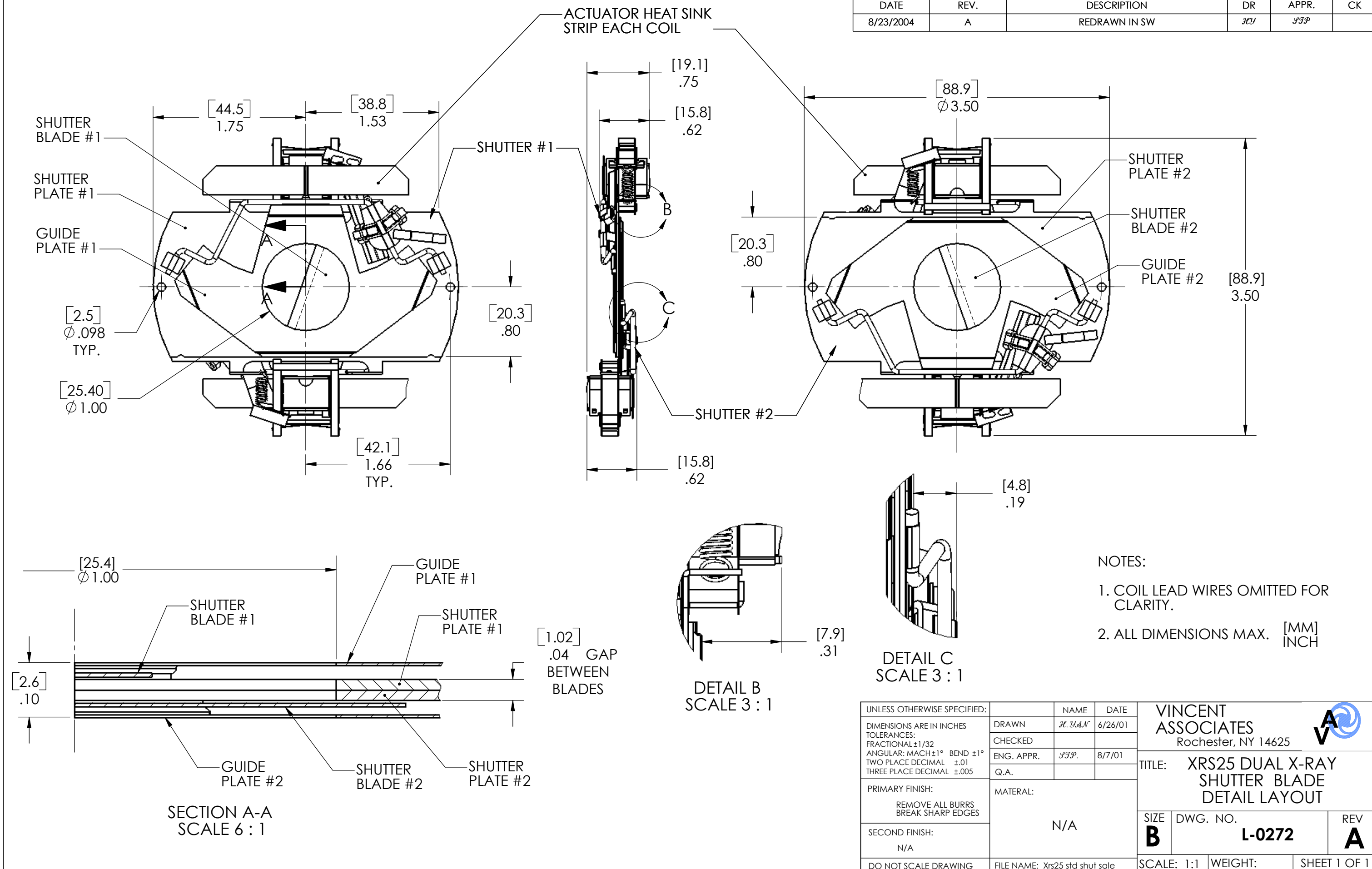


REVISIONS					
DATE	REV.	DESCRIPTION	DR	APPR.	CK
8/23/2004	A	REDRAWN IN SW	JY	JSP	



- NOTES:
1. COIL LEAD WIRES OMITTED FOR CLARITY.
  2. ALL DIMENSIONS MAX. [MM] INCH

UNLESS OTHERWISE SPECIFIED:		NAME	DATE	VINCENT ASSOCIATES Rochester, NY 14625
DIMENSIONS ARE IN INCHES		J.L. VAN	6/26/01	
TOLERANCES:		CHECKED		TITLE: XRS25 DUAL X-RAY SHUTTER BLADE DETAIL LAYOUT
FRACTIONAL: ±1/32		ENG. APPR. JSP	8/7/01	
ANGULAR: MACH ±1° BEND ±1°		Q.A.		SIZE <b>B</b> DWG. NO. <b>L-0272</b> REV <b>A</b>
TWO PLACE DECIMAL ±.01				SCALE: 1:1 WEIGHT: SHEET 1 OF 1
THREE PLACE DECIMAL ±.005				
PRIMARY FINISH: REMOVE ALL BURRS BREAK SHARP EDGES		MATERIAL:  N/A		
SECOND FINISH: N/A				
DO NOT SCALE DRAWING		FILE NAME: Xrs25 std shut scale		