

## CAPABILITIES

In addition to our standard product line, Vincent Associates has years of experience in custom modifications as well as special shutter designs. If one of our standard products does not seem quite what your application requires, please contact us to discuss your particular requirements with one of our specialists

### NORMALLY OPEN SHUTTER DESIGN

Specific shutters in the UNIBLITZ® line can be configured normally open, closing upon actuation. See normally open VS35 drawing below for typical VS normally open configuration.

### CUSTOM CABLES

If we do not have the proper cable for your specific application, we can provide varied lengths and other special modifications required for your shutter system.

### OEM SHUTTER DRIVERS

We have available a varied line of OEM drivers that have been used in many different applications. Designed to be powered from AC or DC voltages, we may have a drop-in design for your specific requirement. If not, we can design a shutter driver to fit your specifications.

OEM BOARD Level Systems			
Type	# of Channels	Power Supply Level Req.	Drive Type
CCS-3	1	12VDC	Constant Current
CCS-5	1	24VDC	Capacitive Discharge
D880	1	24VDC	Constant Current
122-BP	1	115/220VAC	Capacitive Discharge

### CUSTOM SHUTTER CONFIGURATIONS

For example, our VS14 and VS25 shutters can have excess plate material removed to allow the shutters to "fit" in even tighter applications. These modifications are referred to as the "X" and "Y" plate cuts. (See VS25 ALTERNATE PLATE CUT drawing below.) We have also modified our shutter mechanisms themselves to achieve the smallest UNIBLITZ shutter outlines available. Please let us know how we can modify our shutter systems for your specific application.

### ADDITIONAL SHUTTER ACTUATOR COIL VOLTAGES

Specific operating voltages such as +12 or +24VDC may require the shutter actuator coils to be re-configured. If your application requires operation at these voltages, alternate coils are available.

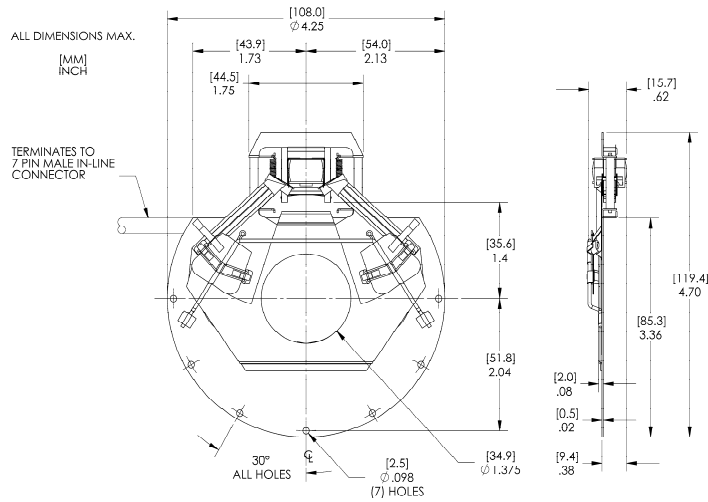
### ALTERNATE MOUNTING OPTIONS

We have a large selection of standard mounting options for varied types of microscopes and video systems. If our standard systems will not fit your application, we can (and have) designed special mounting systems for the most complex applications.

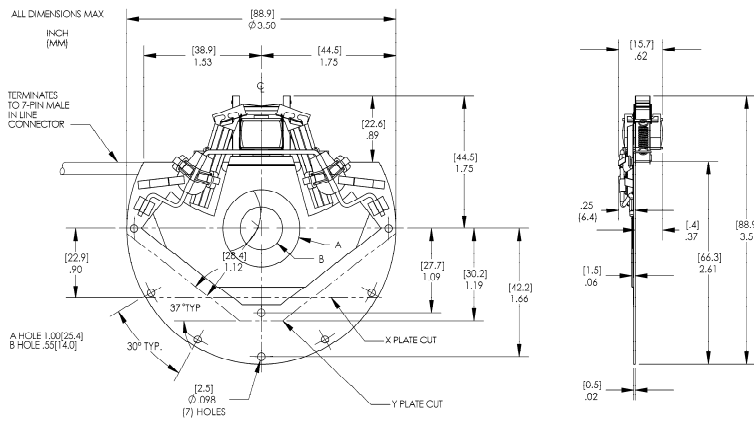
**Please give us an opportunity to provide for your unique shutter application!**

For additional Timing and Operational information, see "Shutter Products - Comparison Specifications Sheet". See VS35 shutter outline drawings shown on the opposite side of this sheet.

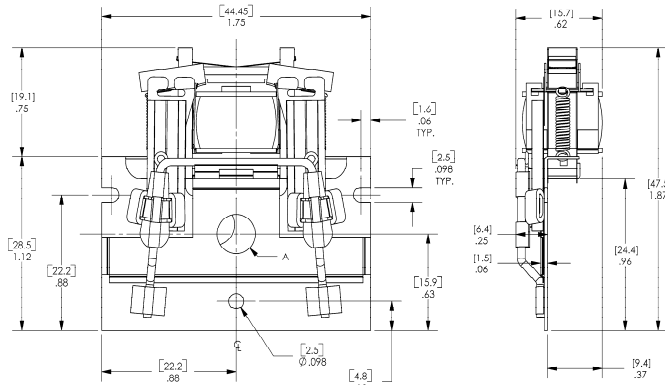
**VS35 (35MM) NORMALLY OPEN SHUTTER CONFIGURATION**



**VS25 (25MM) NORMALLY CLOSED SHUTTER ILLUSTRATING ALTERNATE PLATE CUT CONFIGURATIONS**



**TYPICAL LS INTERNAL SHUTTER LAYOUT**



- NOTES:  
1. A HOLE - 6 mm FOR LS6  
5 mm FOR LS3  
2. ALL DIMENSIONS MAX. [MM] INCH