

This application note illustrates the components and assemblies required to install a CSR45S3T0-17, 45mm aperture, normally open shutter (activates to the closed position) into a Cooke camera system. The system set up is easy and straight forward. Although bench top drivers, the VCM-D1 and VMM-D1 are illustrated, OEM and integral (to camera) shutter drivers can be substituted. The normally closed shutter, CS45S3T0-17, (activated open) can also be utilized.

• **CS45 SHUTTER WITH “F” MOUNT, #128 ADAPTER**

Figure #1 Illustrates the **UNIBLITZ**[®] CSR45S3T0-17 and the Cooke Adapter prior to assembly. Parts to order are as follows:

- 1 each CSR45S3T0-17 45mm normally open (activated closed) shutter with Nikon lens mount.
- 1 each #128 Adapter to attach shutter to camera
- 1 each VCM-D1 (or VMM-D1) Shutter drive controller

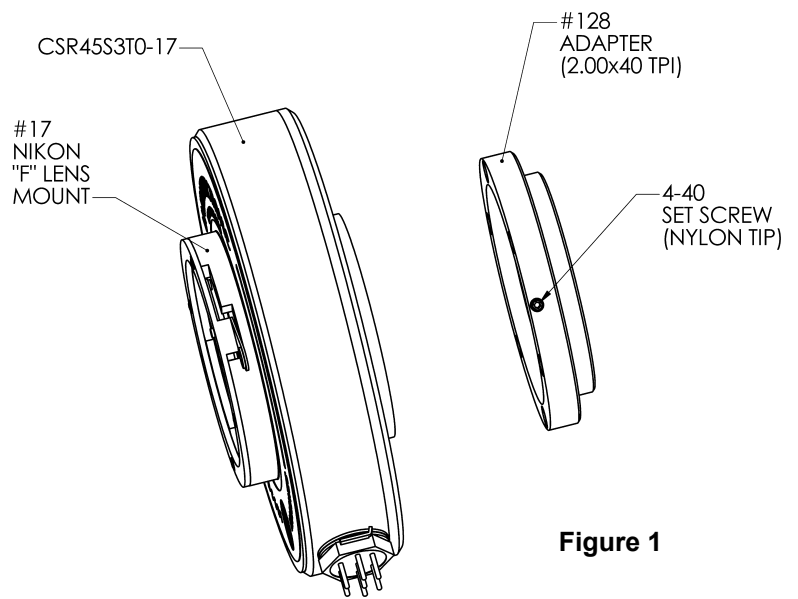


Figure 1

Figure #2 Illustrates a view of the completed shutter (**UNIBLITZ** CSR45S3T0-17) assembly. Shutter is shown in the activated (closed) position. The #128 adapter is first attached to the camera and the shutter is then attached via the 2.00 inch x 40TPI thread.

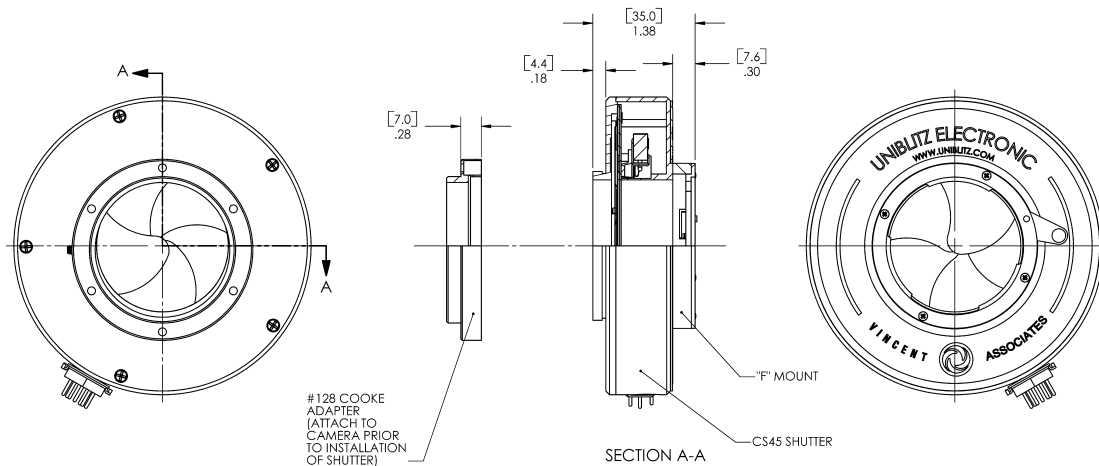


Figure 2

• INTERFACE COOKE CAMERA WITH UNIBLITZ[®] CS45 SHUTTER

Figure #3 illustrates the camera, UNIBLITZ shutter assembly (with F mount and #128 adapter), and Nikon lens.

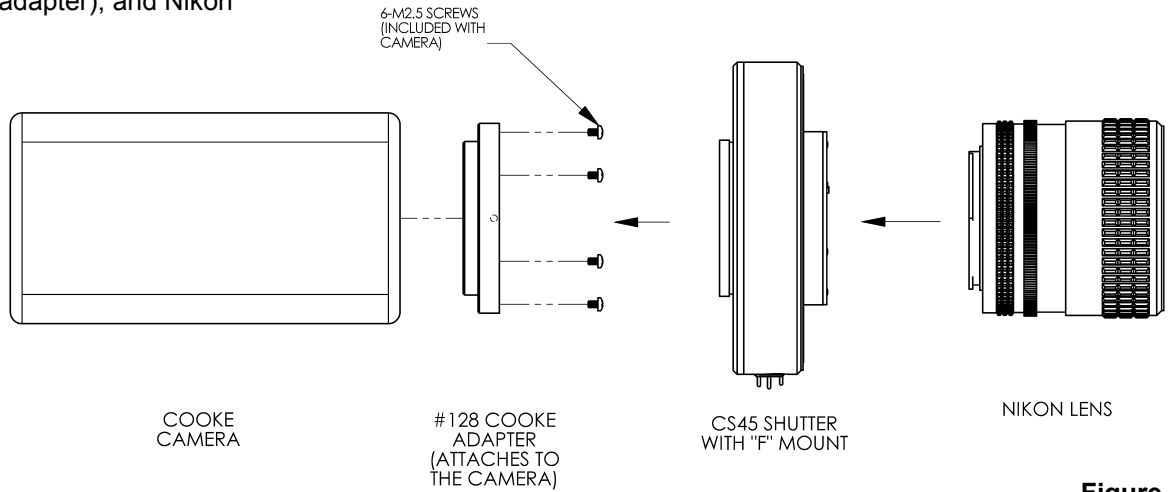


Figure 3

Figure #4 illustrates a camera system comprised of a UNIBLITZ CSR45S3T0-17 (normally open housed shutter with #17 "F" type lens mount) and the #128 Cooke Adapter. This adapter will connect the shutter to the Cooke camera prior to attaching the shutter. The camera is also shown providing control signals to the VCM-D1 (or VMM-D1) shutter drive controller to directly control the shutter's exposure.

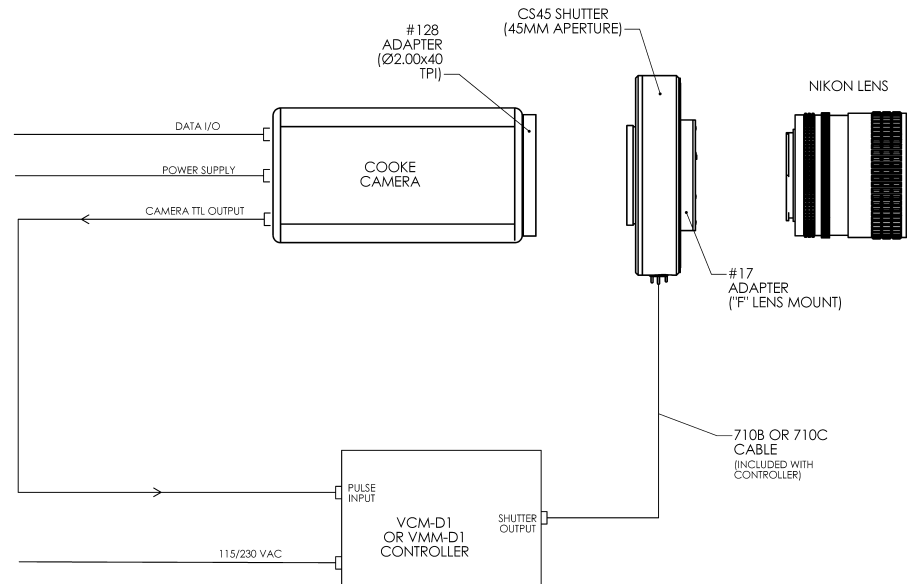


Figure 4