

This application note illustrates the components and assemblies required to install a CSR45S3T0-17, 45mm aperture, normally open shutter (activates to the closed position) into a Dalsa camera system. The system set up is easy and straight forward. Although bench top drivers, the VCM-D1 and VMM-D1 are illustrated, OEM and integral (to camera) shutter drivers can be substituted. The normally closed shutter, CS45S3T0-17, (activated open) can also be utilized.

• **CS45 SHUTTER WITH “F” MOUNT, #127 ADAPTER ATTACHED**

Figure #1 Illustrates the **UNIBLITZ**[®] CSR45S3T0-17 and the Dalstar Adapter prior to assembly. Parts to order are as follows:

- 1 each CSR45S3T0-17 45mm normally open (activated closed) shutter with Nikon lens mount.
- 1 each #127 Adapter to convert 2.00x40TPI thread to M72x.75mm thread.
- 1 each VCM-D1 (or VMM-D1) Shutter drive controller

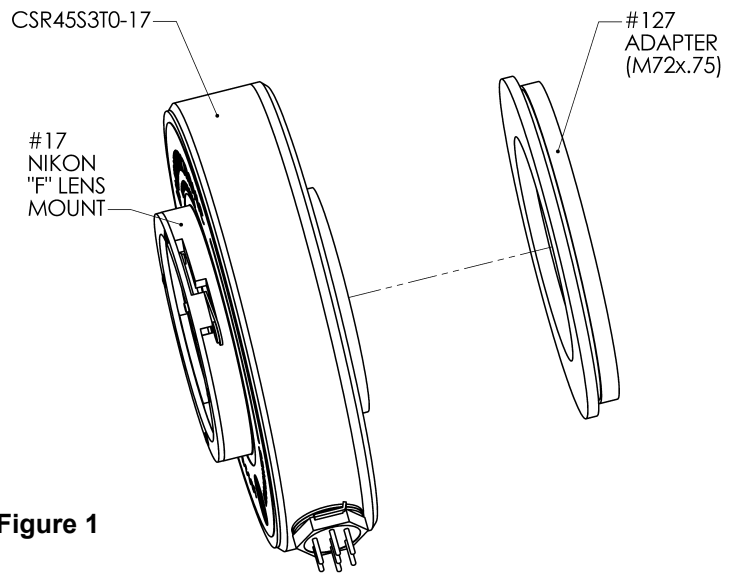


Figure 1

Figure #2 Illustrates a view of the completed shutter (**UNIBLITZ** CSR45S3T0-17 and #127 Dalstar Adapter) assembly. Shutter is shown in the activated (closed) position.

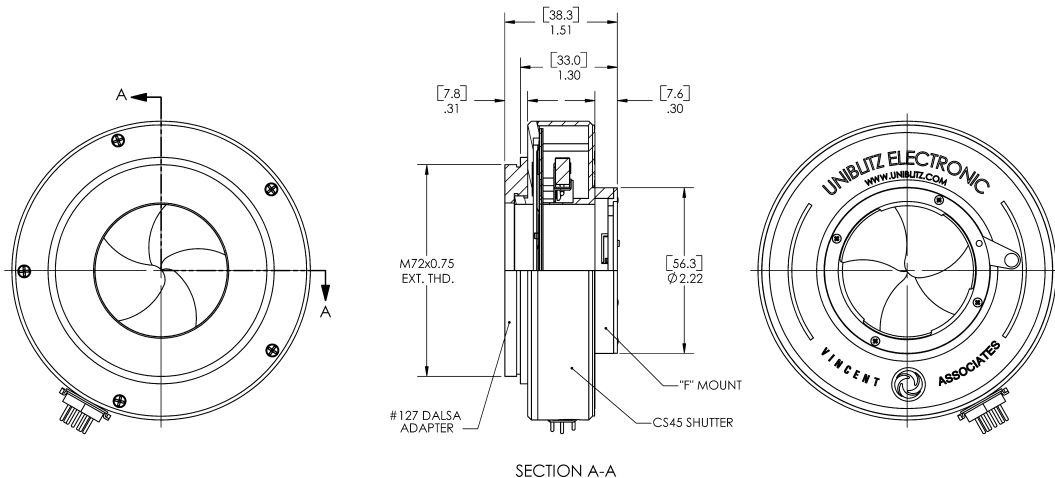


Figure 2

Vincent Associates 803 Linden Avenue, Rochester, NY 14625
web www.uniblitz.com e-mail vincentassociates@uniblitz.com toll-free 800.828.6972

• **INTERFACE DALSA CAMERA WITH UNIBLITZ[®] CS45 SHUTTER**

Figure #3 Illustrates the camera, UNIBLITZ shutter assembly (with F mount and M72x.75mm thread adapter), and Nikon lens.

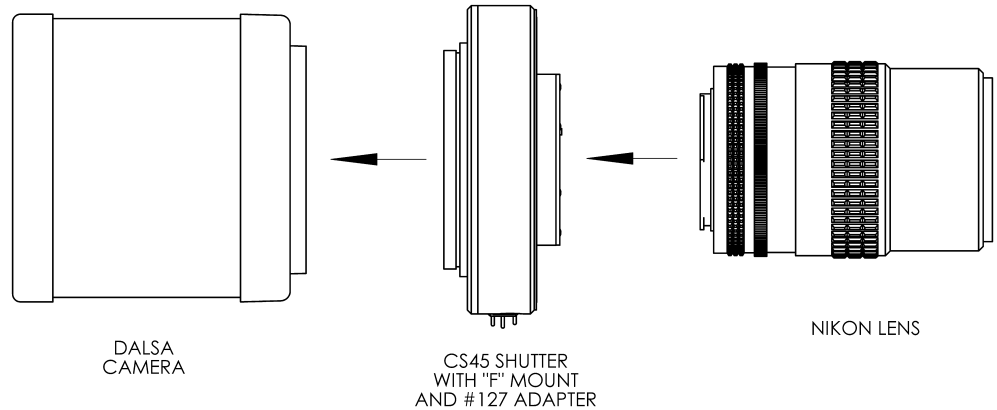


Figure 3

Figure #4 Illustrates a camera system comprised of a UNIBLITZ CSR45S3T0-17 (normally open housed shutter with #17 “F” type lens mount) and the #127 Dalstar Adapter. This adapter will connect the shutter to the Dalsa camera when the camera is equipped with the M72x.75mm thread. The camera is also shown providing control signals to the VCM-D1 (or VMM-D1) shutter drive controller to directly control the shutter’s exposure.

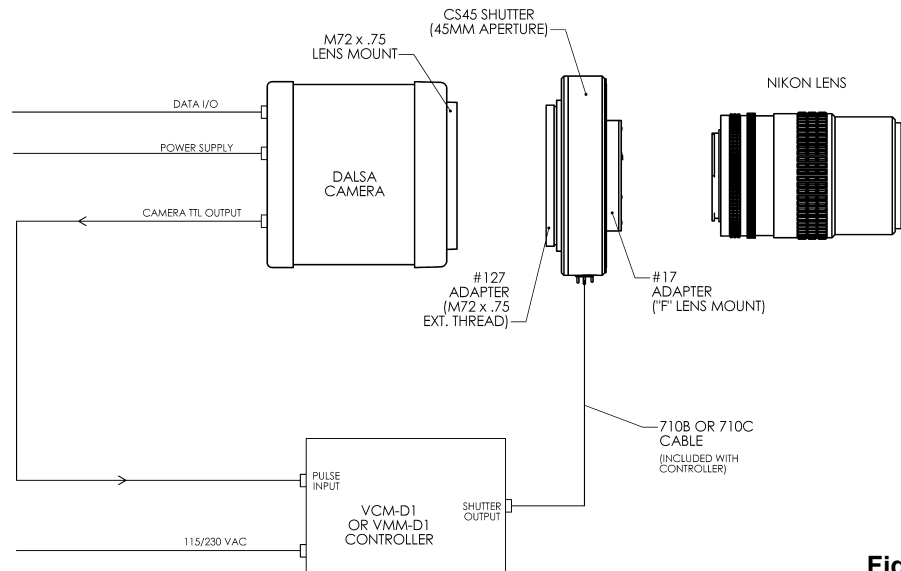


Figure 4