

• UNPACK THE MOUNT SET

As you remove the packing materials from the box, check for small items that may be attached to the packing materials.

Make sure the following parts were included in the box:
(see parts list table and Figure 1)

#32 MOUNT SET PARTS LIST			
	PART NAME	QUANTITY	PART NUMBER
1	VS25/VS35 SHUTTER	1	N/A
2	#32 NIKON 80i REAR ADAPTER	1	9003-0311
3	#32 NIKON 80i FRONT ADAPTER	1	9003-0310
4	FLAT HEAD SCREW (4-40x1/4")	3	20-0078
5	SET SCREW (6-32x3/8")	1	20-0155

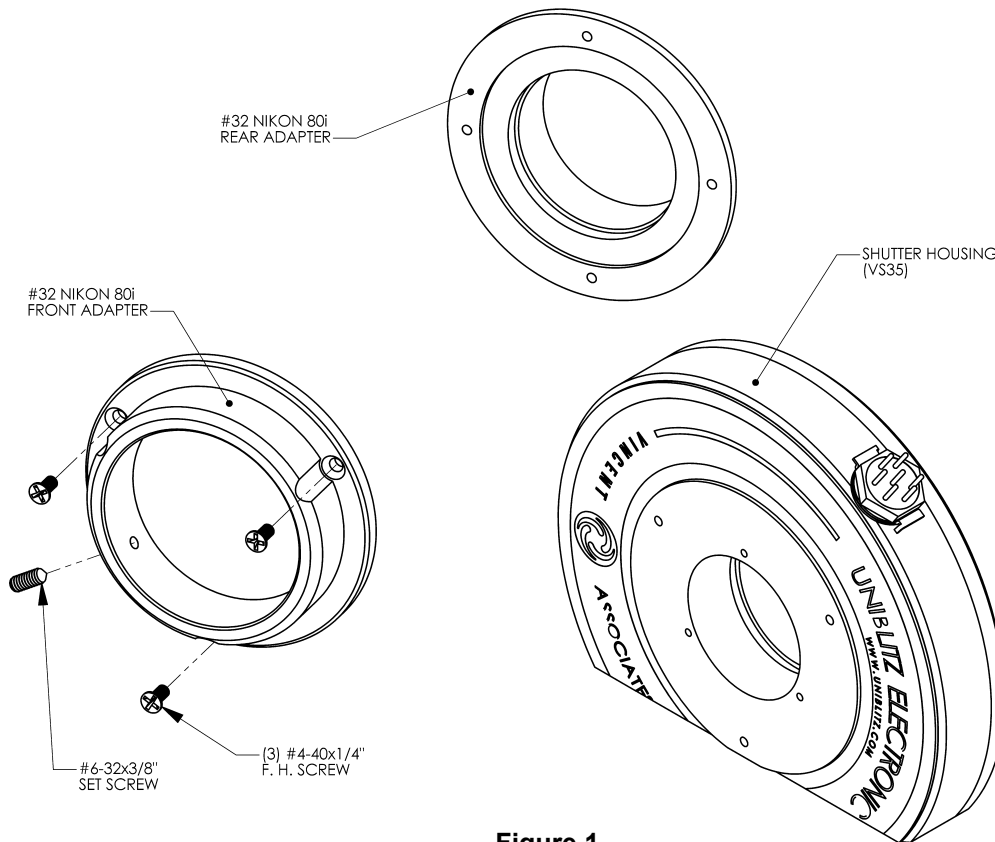
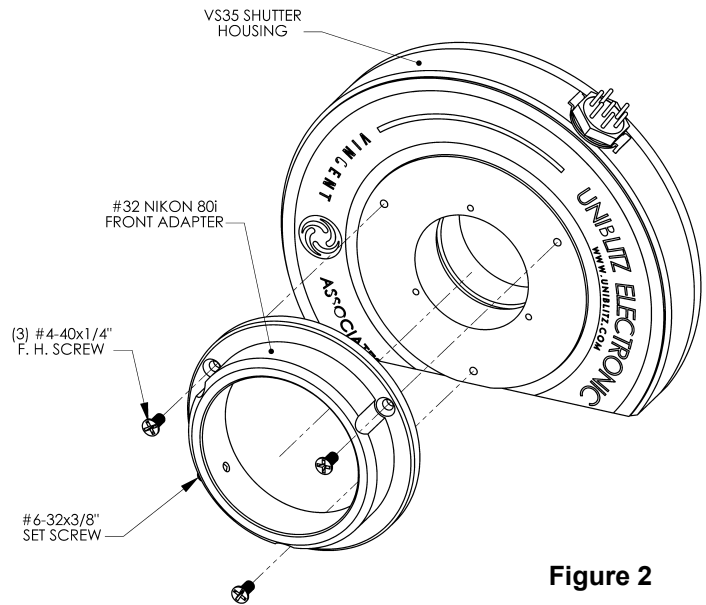


Figure 1

• INSTALLATION STEPS:

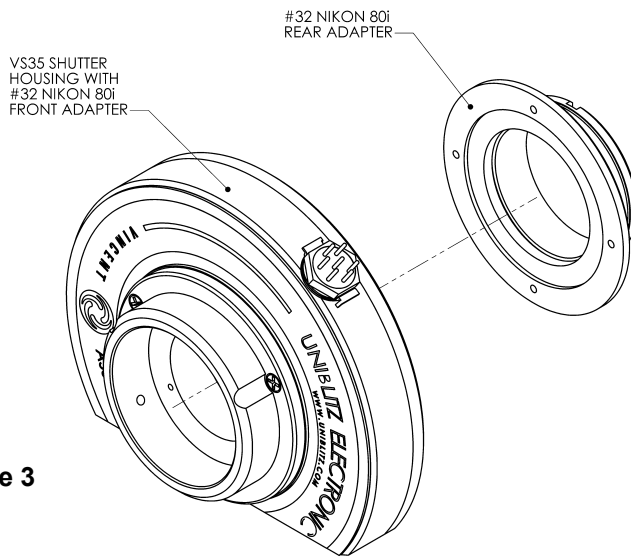
STEP ONE:

Using (3) 4-40 flat head screws attach #32 front adapter to the front of the shutter housing. Thread set screw into front adapter.
(see Figure 2)



STEP TWO:

Screw the #32 rear adapter to the back of the shutter housing, tighten securely.
(see Figure 3)



STEP THREE:

#32 mount final installation as shown.
(see Figure 4)

