

• **UNPACK THE MOUNT SET**

As you remove the packing materials from the box, check for small items that may be attached to the packing materials.

Make sure the following parts were included in the box:
(see parts list table and Figure 1)

#29 MOUNT SET PARTS LIST			
	PART NAME	QUANTITY	PART NUMBER
1	LS/VS14/VS25/VS35 SHUTTER	1	N/A
2	DOVETAIL ADAPTER	1	9003-321
3	DOVETAIL RING	1	9003-322
4	SOCKET SET SCREW (6-32x3/8")	3	20-0155
5	TIP SET SCREW (6-32x3/8") NYLON	3	20-0157

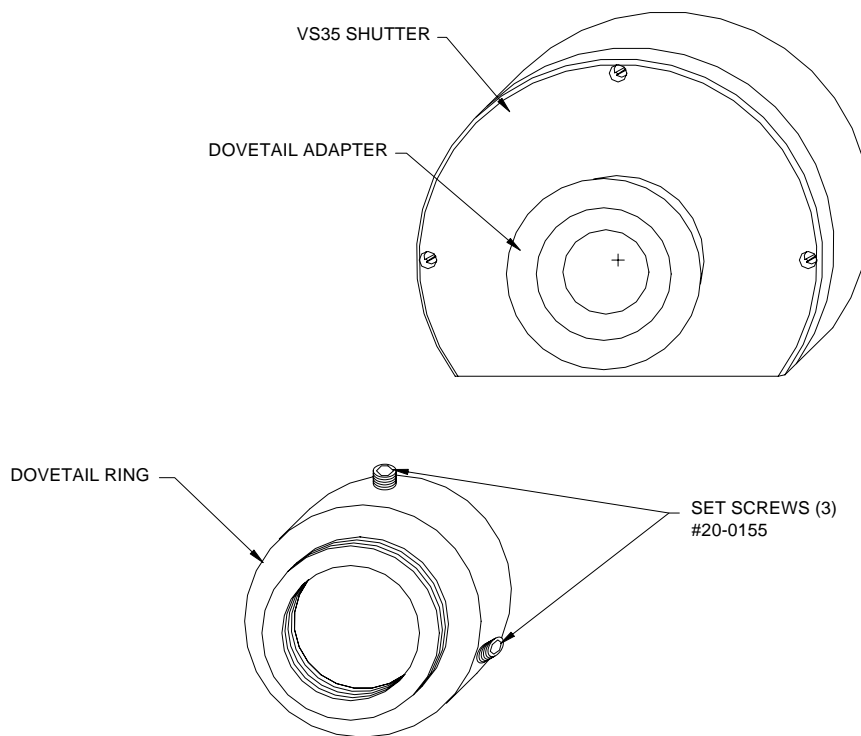


Figure 1

Vincent Associates 803 Linden Avenue, Rochester, NY 14625
web www.uniblitz.com e-mail vincentassociates@uniblitz.com toll-free 800.828.6972

• **INSTALLATION STEPS:** (THE LENS TUBE WITH INTERNAL THREAD AVAILABLE)

STEP ONE:

Screw the dovetail ring to lens tube.
(see Figure 2)

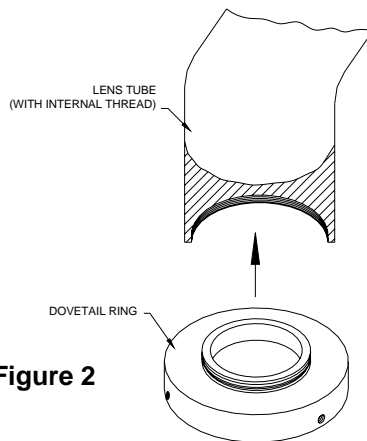


Figure 2

STEP TWO:

Attach shutter case with dovetail adapter to dovetail ring, adjust case position as desired. Using (3) set screws attach the adapter to the ring, to securely hold the shutter. (see Figure 3)

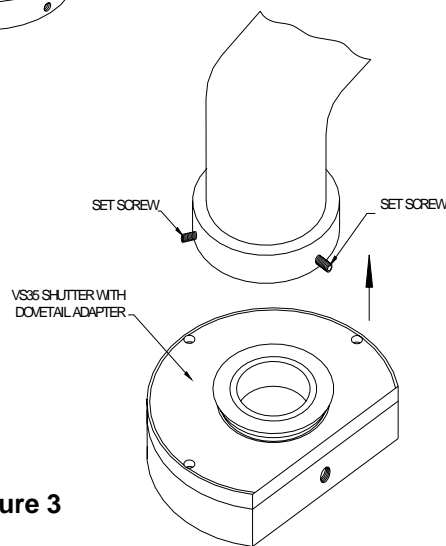


Figure 3

STEP THREE:

Final installation as shown.
(see Figure 4, 5)

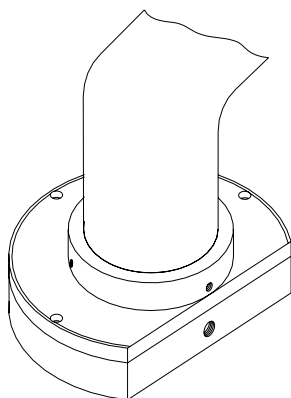


Figure 4

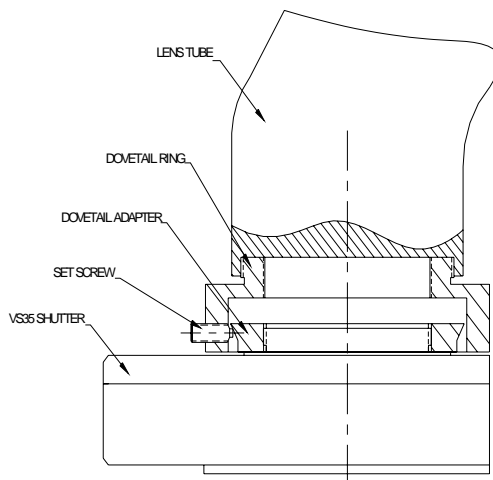


Figure 5

• **INSTALLATION STEPS:** (THE LENS TUBE WITHOUT INTERNAL THREAD AVAILABLE)

STEP ONE:

Unscrew the dovetail adapter from the shutter case.
(see Figure 6)

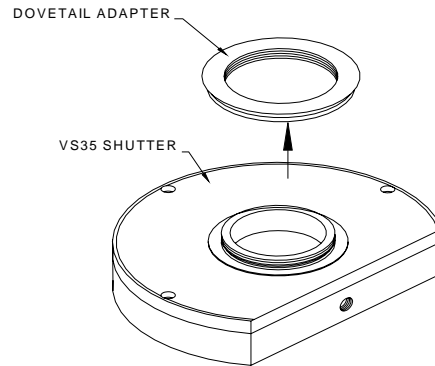


Figure 6

STEP TWO:

Replace existing set screws with nylon tip set screws.
Screw the dovetail ring to the shutter case.
(see Figure 7)

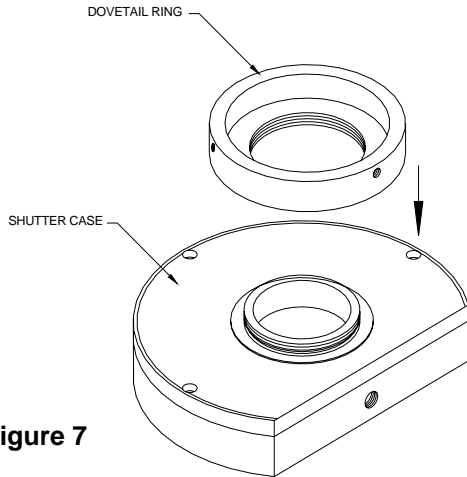


Figure 7

STEP THREE:

Attach the shutter case with dovetail ring assembly to the lens tube, as shown. Rotate the case to desired position, use (3) set screws to securely hold shutter in place.
(see Figure 8)

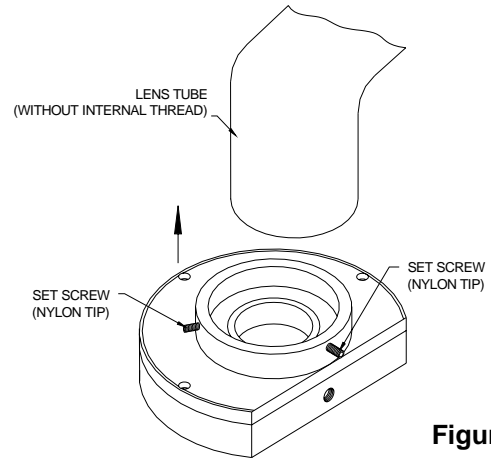


Figure 8

STEP FOUR:

Final installation as shown.
(see Figure 9, 10)



Figure 9

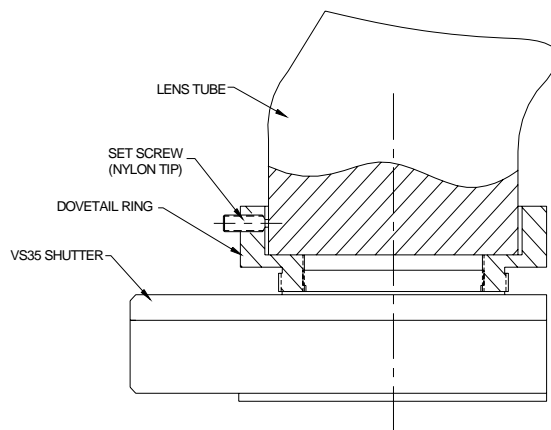


Figure 10