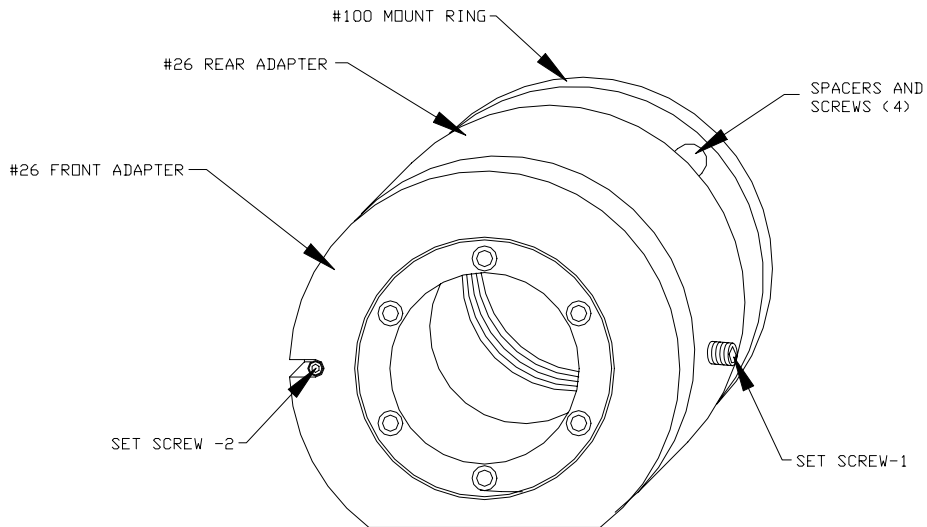


• **UNPACK THE MOUNT SET**

As you remove the packing materials from the box, check for small items that may be attached to the packing materials.

Make sure the following parts were included in the box:  
(see parts list table and Figure 1)

#26 MOUNT SET PARTS LIST			
	PART NAME	QUANTITY	PART NUMBER
1	#100 MOUNT RING	1	9003-025
2	FLAT HEAD SCREW (2-56x5/8")	3	20-0175
3	SET SCREW (4-40x1/4")	2	20-0149
4	REAR MOUNT ADAPTER	1	9003-270
5	FRONT MOUNT ADAPTER	1	9003-271
6	PAN HEAD SCREW (4-40x1/2")	4	20-0165
7	#4 ROUND SPACER (1/4x1/4")	4	21-0019
8	SET SCREW (6-32x1/2")	1	20-0156



**Figure 1**

## • INSTALL FRONT ADAPTER

### STEP ONE:

Unscrew the set screw-1 on #26 mount set, remove #26 front adapter from the #26 rear mount sub-assembly. (see Figure 2)

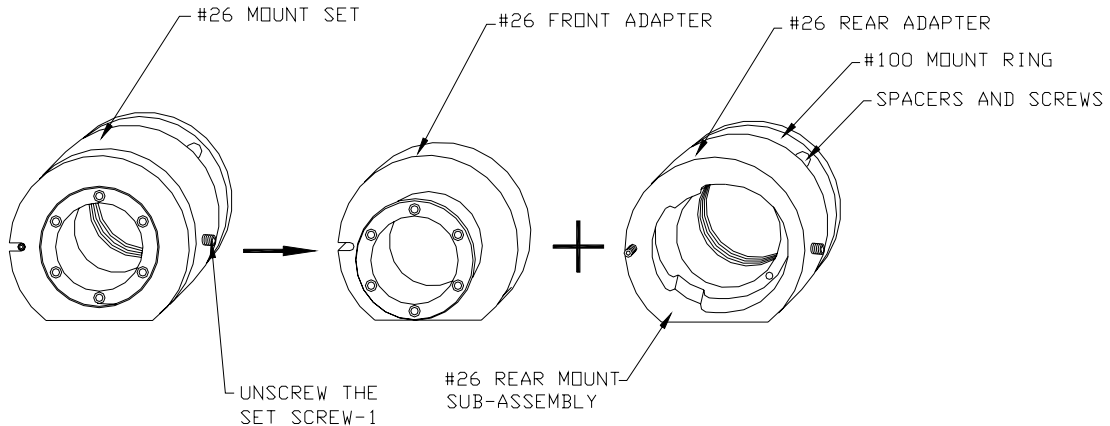


Figure 2

### STEP TWO:

- Align front adapter flat edge with the housing flat edge.
- Using (3) 2-56 flat head screws attach front adapter to the front of the housing. (see Figure 3)

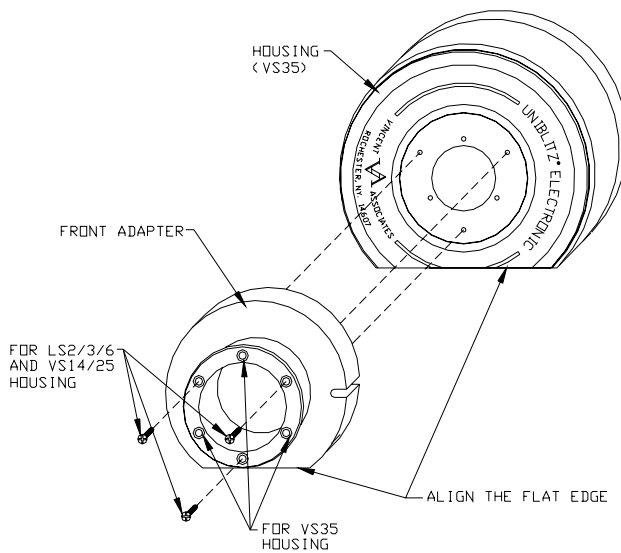


Figure 3

## ● INSTALL REAR MOUNT SUBASSEMBLY

### STEP ONE:

- Screw #26 rear mount sub-assembly onto the housing.
- After the rear mount sub-assembly is screwed on, rotate it back to align the flat side of the rear mount sub-assembly with the flat side of the housing.
- Through one of the two clearance holes in rear mount, tighten the set screw-3 which is installed onto #100 mount. This will secure the rear mount sub-assembly into place. (see Figure 4,5)

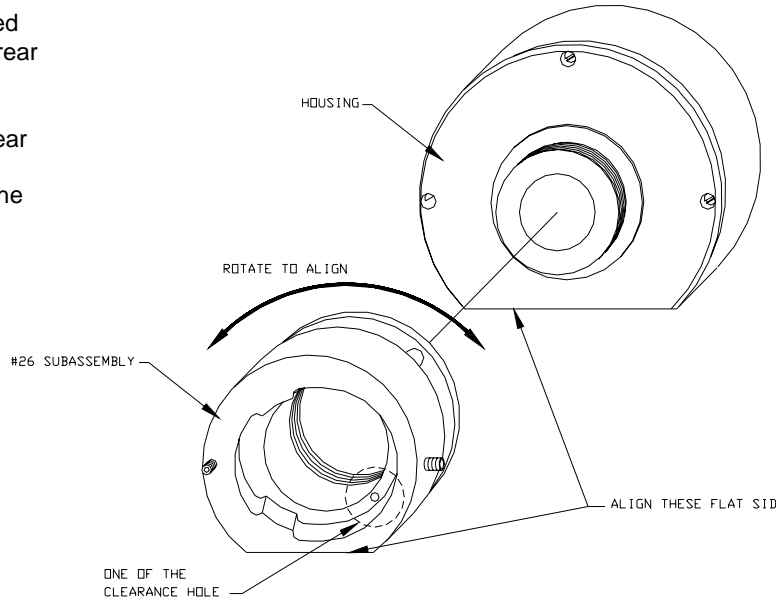


Figure 4

### STEP TWO:

Final assembly as shown in Figure 5

**NOTE:** Flat edges on all mount parts must align with the flat edge of housing.

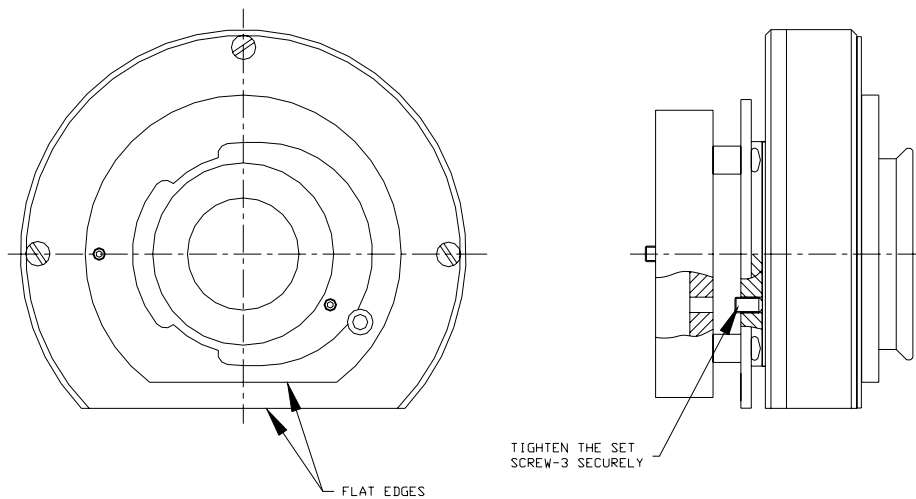


Figure 5