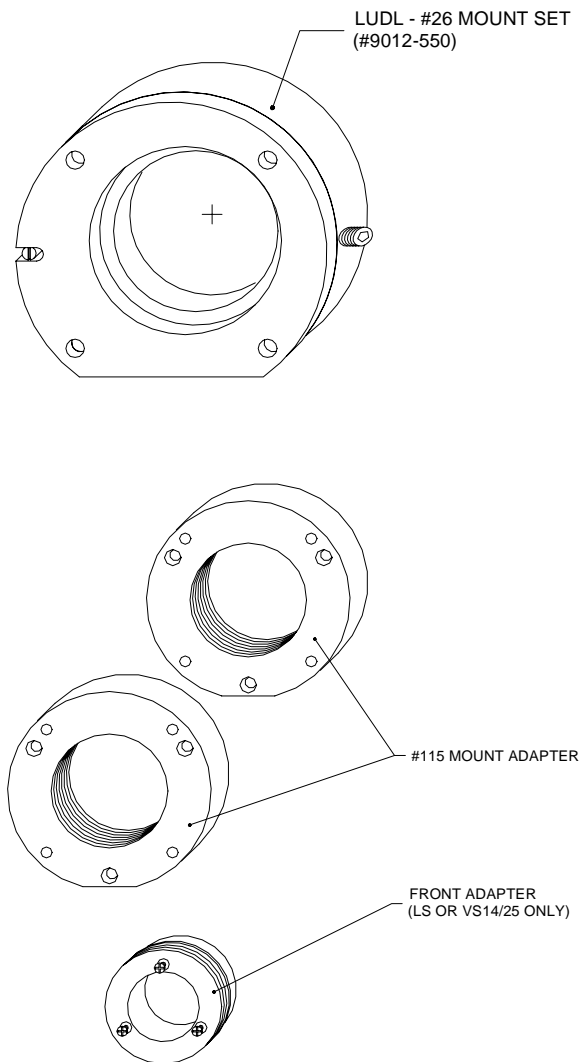


### • UNPACK THE MOUNT SET

As you remove the packing materials from the box, check for small items that may be attached to the packing materials.

Make sure the following parts were included in the box:  
(see parts list table and FIGURE 1)



### PARTS LIST

LUDL MOUNT SET PART (#9012-550)			
	PART NAME	QUANTITY	PART NUMBER
1	FLAT HEAD SCREW	4	N/A
2	SOCKET HEAD SCREW	4	N/A
3	SET SCREW	1	N/A
4	REAR MOUNT ADAPTER	1	N/A
5	FRONT MOUNT ADAPTER	1	N/A
#115 MOUNT ADAPTER			
	PART NAME	QUANTITY	PART NUMBER
1	#115 MOUNT ADAPTER	2	9003-243
2	* SCREW 4-40x1/2 F. H.	3	20-0170
3	SET SCREW 8-32x1/4	3	20-0148
FRONT ADAPTER (LS OR VS14/25 ONLY)			
	PART NAME	QUANTITY	PART NUMBER
1	1.625x40 THD FRONT ADAPTER	1	9003-280
2	SCREW 2-56x5/16 F. H.	3	20-0104

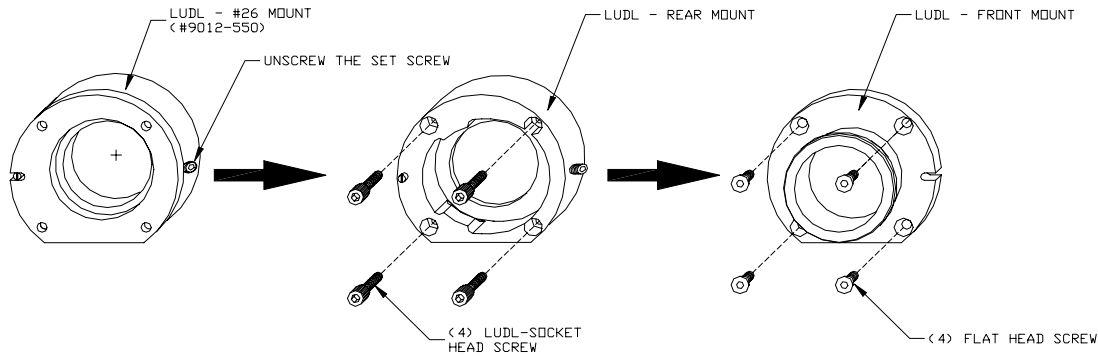
\* For LS or VS14/25 Shutter, this item will be replaced by (3) set screw 8-32x1/4 (#20-0104).

**FIGURE 1**

• **INSTALL FRONT ADAPTER**

**STEP ONE:**

Unscrew the set screw on LUDL- rear mount, remove LUDL-front mount. (see FIGURE 2)

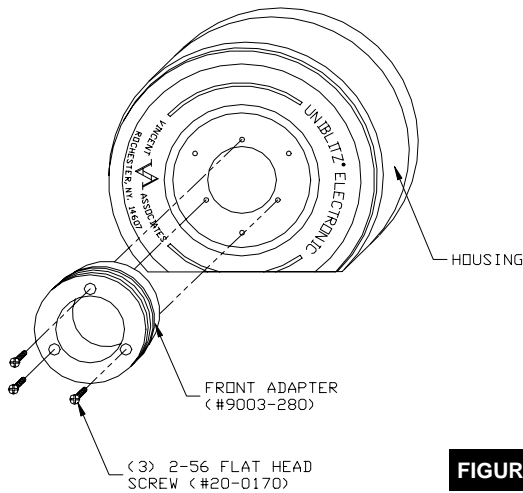


**FIGURE 2**

**STEP TWO:**

**NOTE: FOR LS OR VS14/25 SHUTTER HOUSING FOLLOW STEP 2 - 4.**

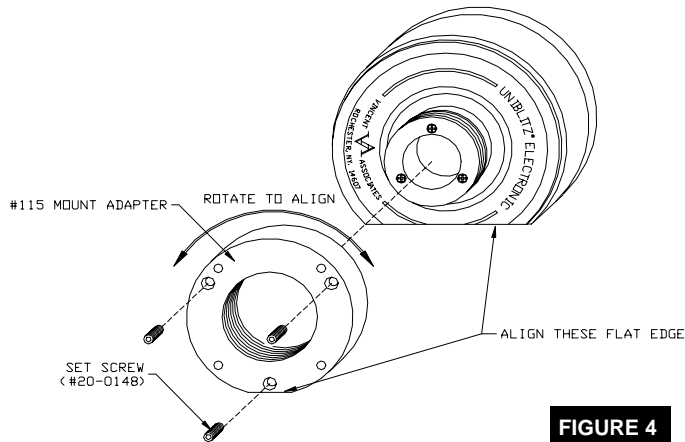
Using (3) 2-56 screws attach front adapter to the front of the housing. (see FIGURE 3)



**FIGURE 3**

**STEP THREE:**

Screw #115 mount adapter onto the front mount, rotate and align the #115 mount adapter flat edge with the flat edge of the housing, using (3) 8-32X1/4 set screws to hold in place. (see FIGURE 4)



**FIGURE 4**

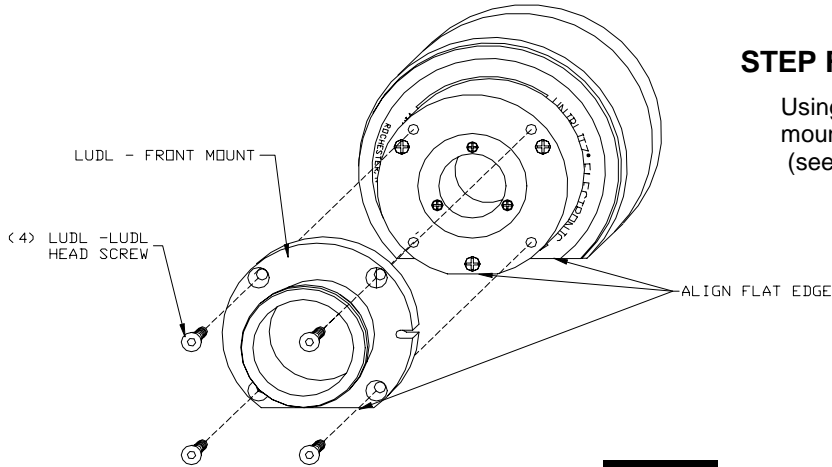


FIGURE 5

**STEP FOUR:**

Using (4) LUDL-flat head screws attach LUDL-front mount to the #115 mount adapter. (see FIGURE 5)

**STEP FIVE:**

**NOTE: FOR VS35 FOLLOW STEP 5, THEN STEP 4.**

Align the #115 mount adapter flat edge with the flat edge of housing, using (3) 4-40 screws attach the #115 mount adapter to the front of the housing. (see FIGURE 6, 5)

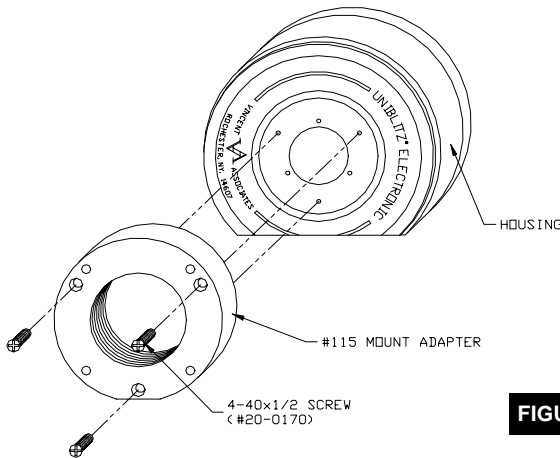


FIGURE 6

**• INSTALL REAR ADAPTER**

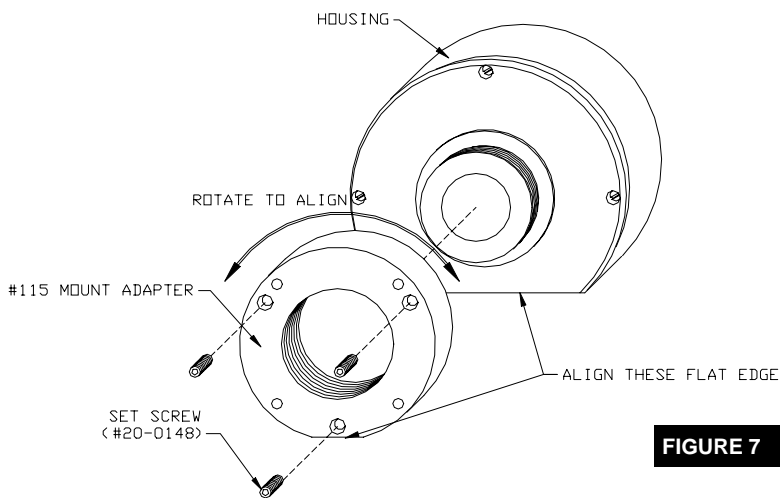


FIGURE 7

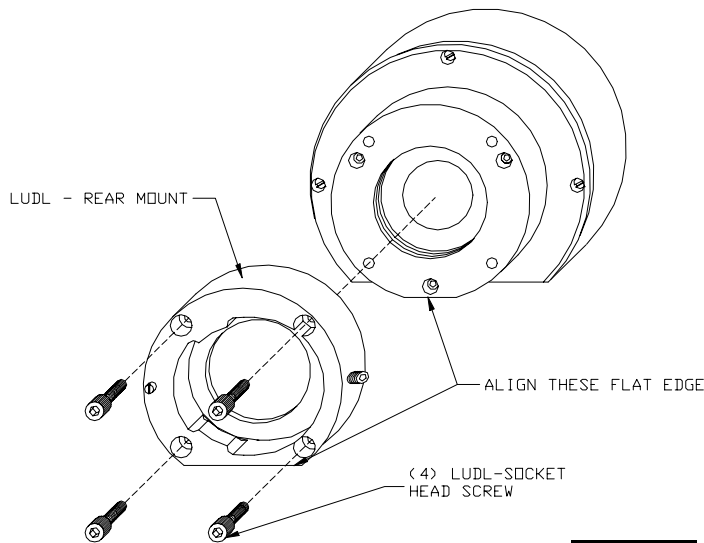
**STEP ONE:**

Screw #115 mount adapter onto the rear of the housing, rotate and align the #115 mount adapter flat edge with the flat edge of the housing, using (3) 8-32x1/2 set screws to hold in place. (see FIGURE 7)

**STEP TWO:**

Using (4) LUDL- socket head screws attach LUDL -rear mount to #115 mount adapter.

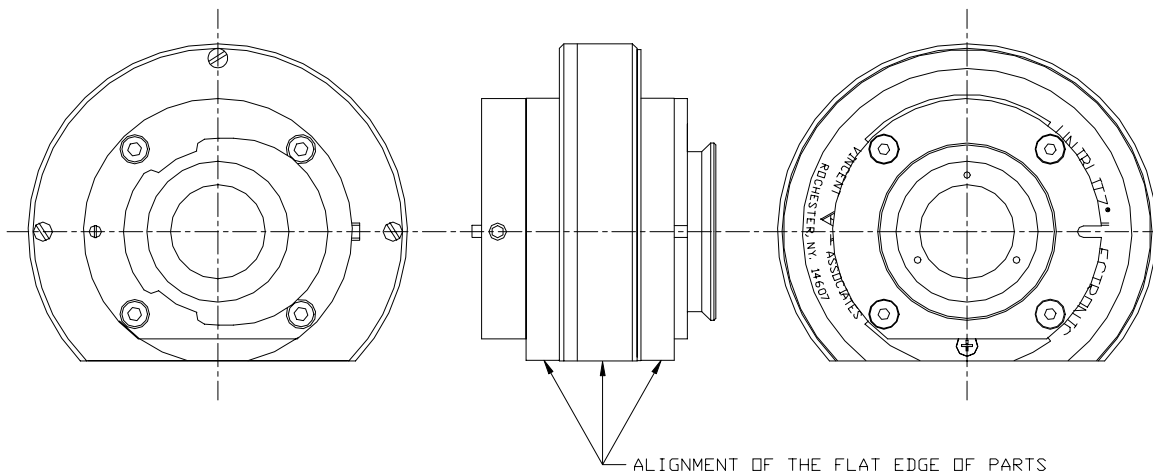
(see FIGURE 8)



**FIGURE 8**

**Final assembly** as shown in FIGURE 9

**NOTE:** Flat edges on all mount parts must align with the flat edge of housing.



**FIGURE 9**

Due to our ongoing product development program, Vincent Associates reserves the right to discontinue or change specifications or designs or any products at any time, without incurring any obligations.

Teflon is a registered trademark of E.I. DuPont  
U.S. Pat No. 3,427,576; 3,595,553; 3,967,293.  
Drawings shown for illustrative purposes only.  
7/00

WEB SITE: [www.uniblitz.com](http://www.uniblitz.com)  
E-MAIL: [vincent@frontiernet.net](mailto:vincent@frontiernet.net)



1255 University Avenue • Rochester, NY 14607  
(716) 473-2232 • (800) 828-6972 • FAX (716) 244-6787  
A Division of VA, Inc.