

• **UNPACK THE MOUNT SET**

As you remove the packing materials from the box, check for small items that may be attached to the packing materials.

Make sure the following parts were included in the box (*parts 5,6,7 and 8 are only available by special request*):
(see parts list table and Figure 1)

#24 MOUNT SET PARTS LIST			
	PART NAME	QUANTITY	PART NUMBER
1	LS/VS14/VS25/VS35 SHUTTER	1	N/A
2	#24 REAR MOUNT SUB-ASSEMBLY	1	9012-453
3	#24 FRONT MOUNT ADAPTER	1	9003-238
4	SCREW 2-56x5/16 FLAT HEAD	3	20-0104
*5	#24 MOUNT SPACER (OPTIONAL)	1	9003-282
*6	SCREW 2-56x1 1/2 FLAT HEAD (OPTIONAL)	3	20-0220
*7	#24 TRANSMITTED SPACER (OPTIONAL)	1	9003-0284
*8	SCREW 1-72x1/4 F.H. (OPTIONAL)	3	20-0100

* Available by special request

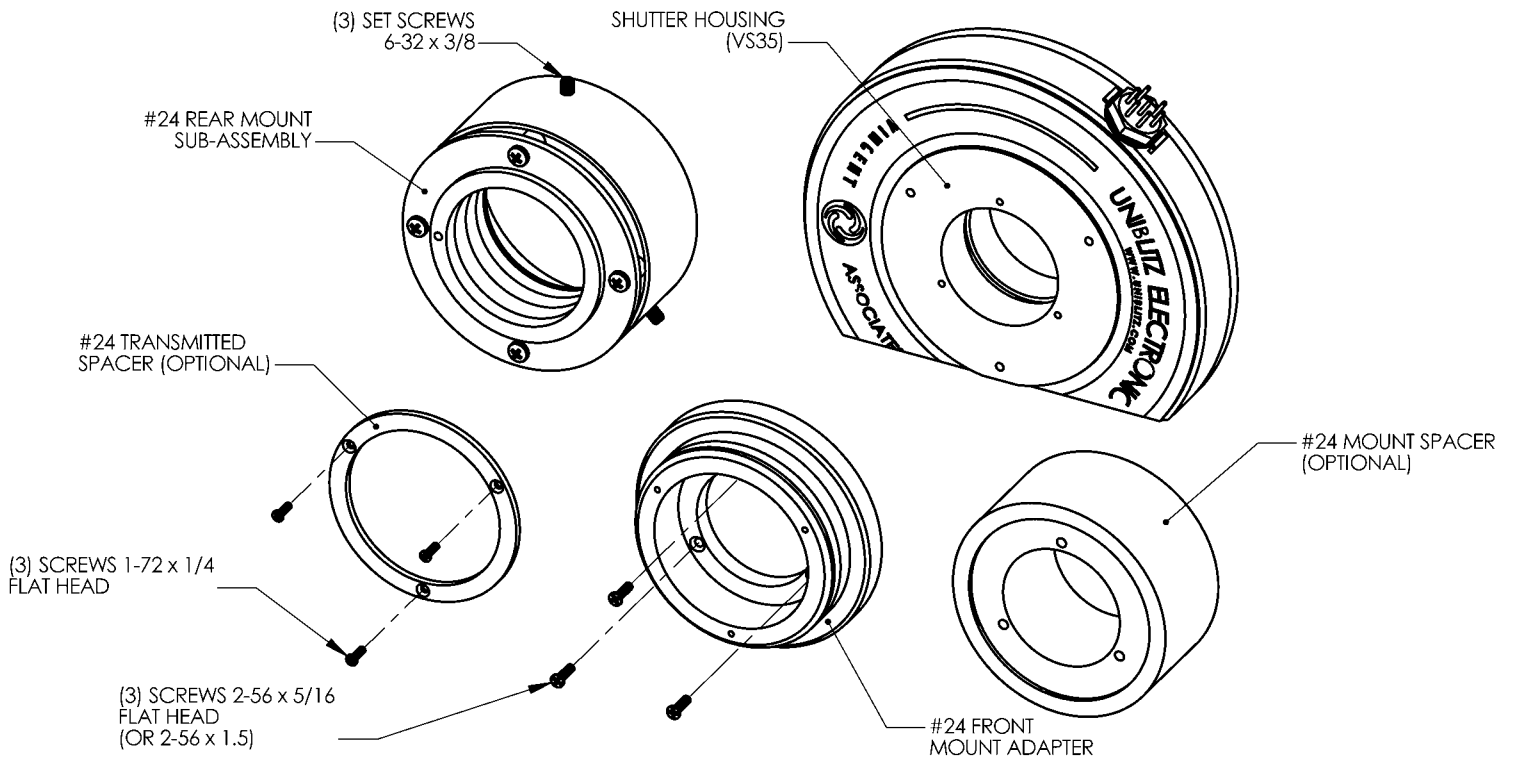


Figure 1

● **INSTALLATION STEPS:**

STEP ONE:

Using (3) flat head screws attach #24 front mount to the front of the shutter housing. (See Figure 2)

***If the application requires additional spacing between the shutter housing and the #24 front mount, see page 4.**

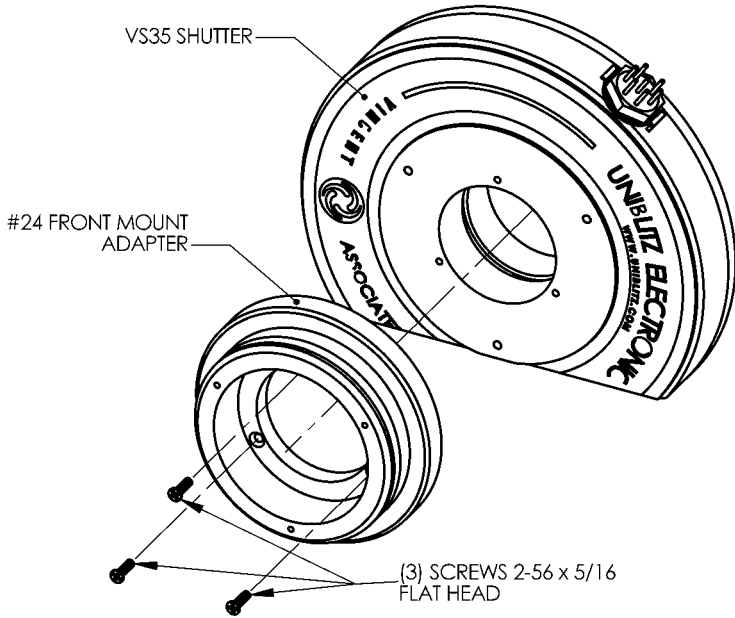


Figure 2

STEP TWO:

Screw the rear mount sub-assembly to the back of the shutter housing and tighten securely. (See Figure 3)

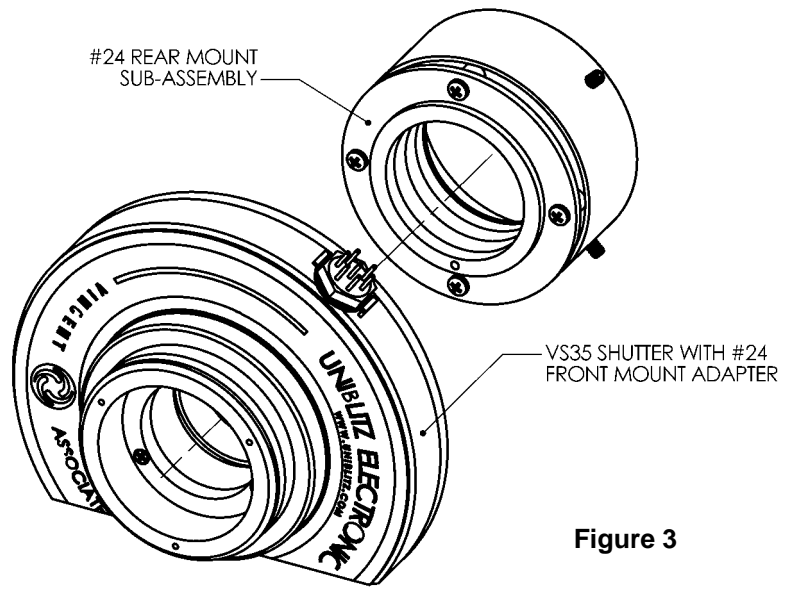


Figure 3

STEP THREE:

#24 mount final installation as shown. (See Figure 4)

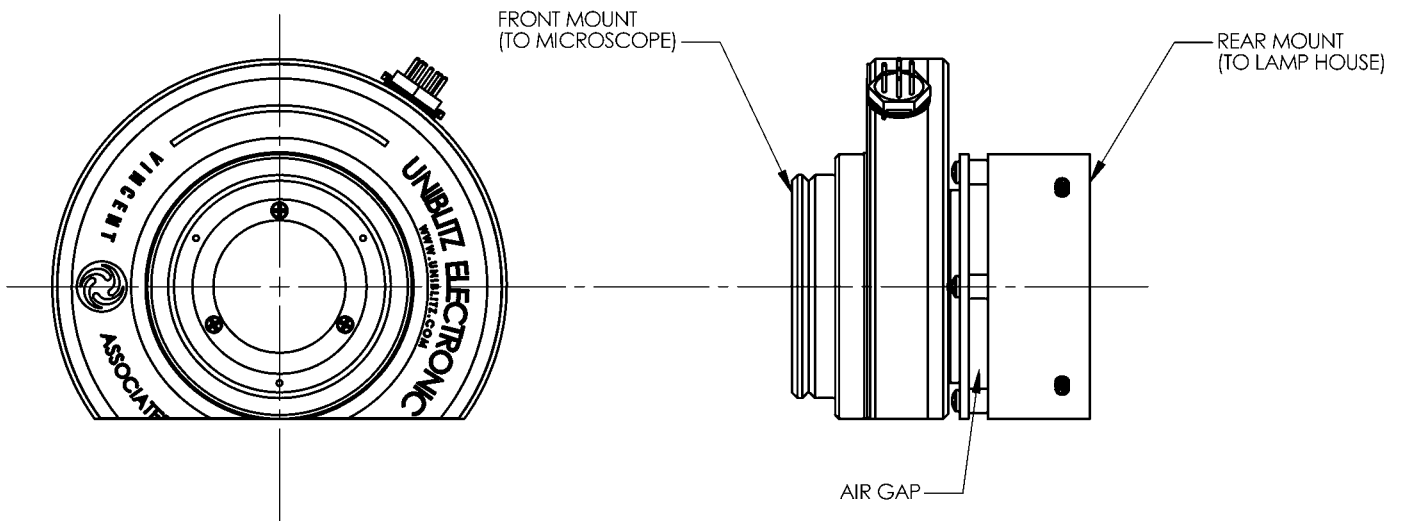


Figure 4

● **INSTALLATION STEPS:** (Transmitted application)

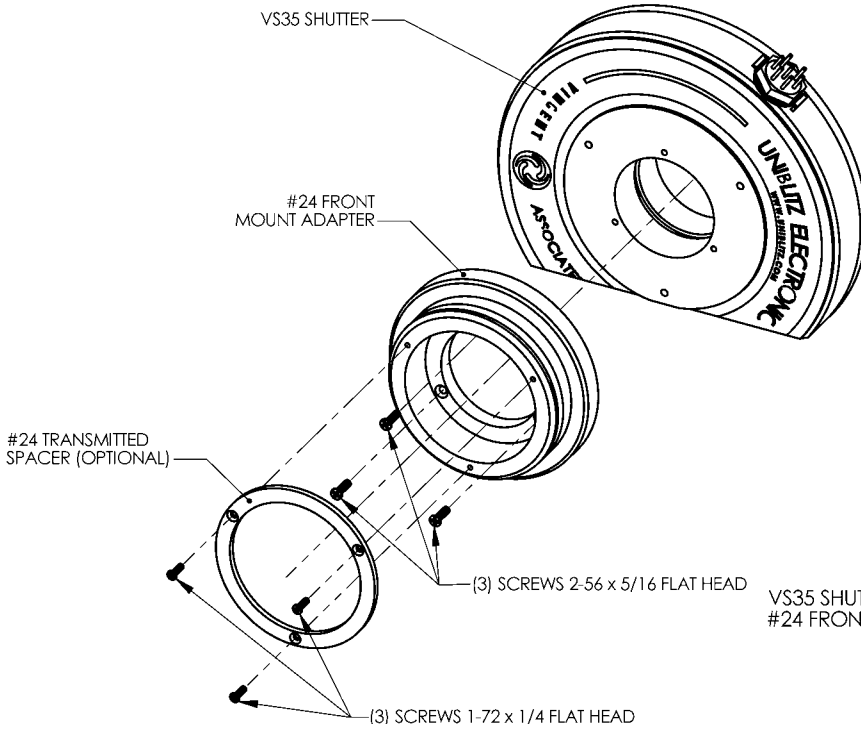


Figure 5

STEP THREE:

Screw the rear mount sub-assembly to the back of the shutter housing and tighten securely. (See Figure 6)

STEP FOUR:

#24 mount final installation as shown. (See Figure 7)

STEP ONE:

Contact Vincent Associates to request #24 transmitted spacer and 1-72X1/4 flat head screws.
Using (3) 2-56 flat head screws, attach #24 front mount to the front of the shutter housing. (See Figure 5)
***If the application requires additional spacing between the shutter housing and the #24 front mount, see page 4.**

STEP TWO:

Using (3) 1-72 flat head screws, attach spacer to the outside surface of #24 front mount. (See Figure 5)

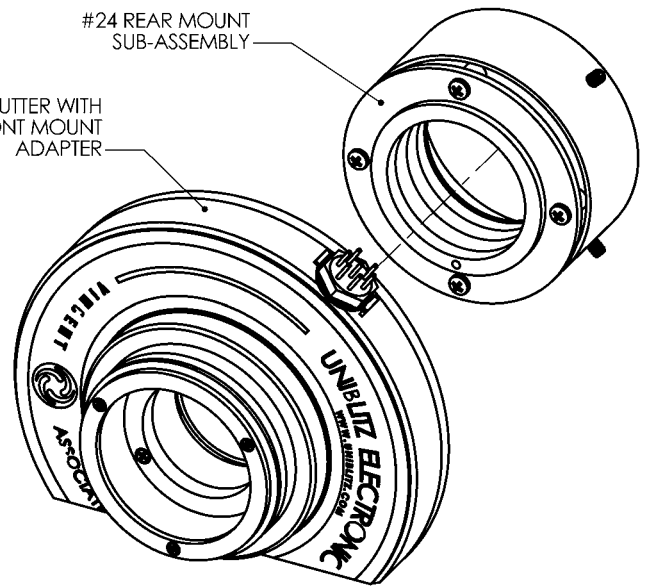


Figure 6

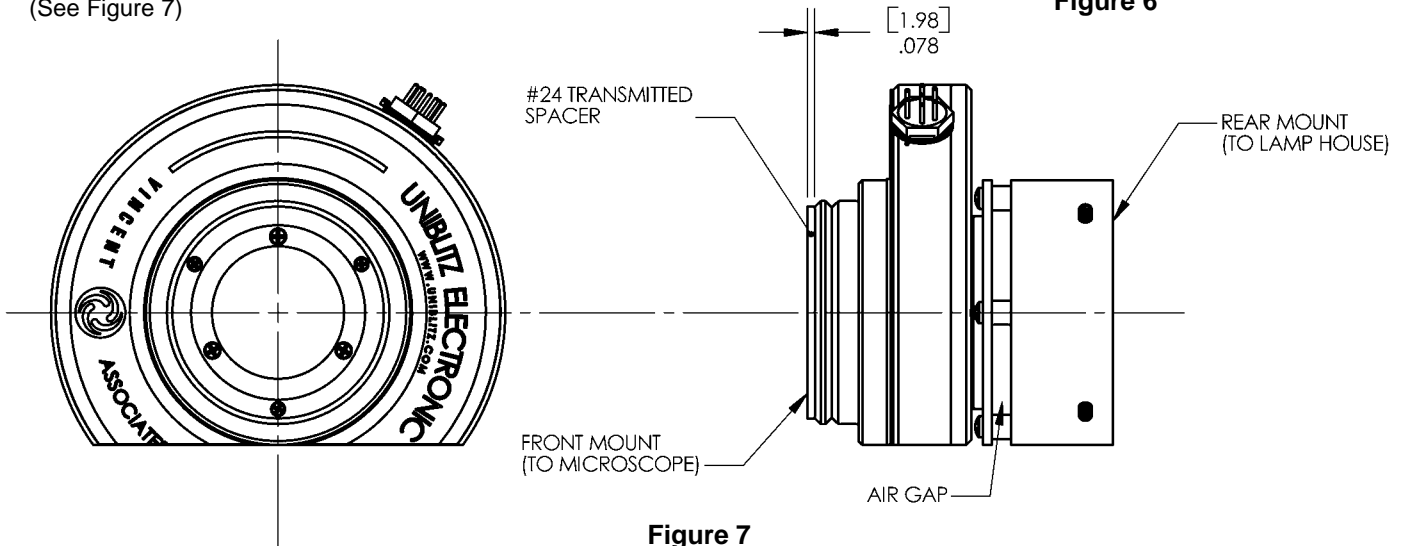


Figure 7

• INSTALLATION STEPS: (Special application)

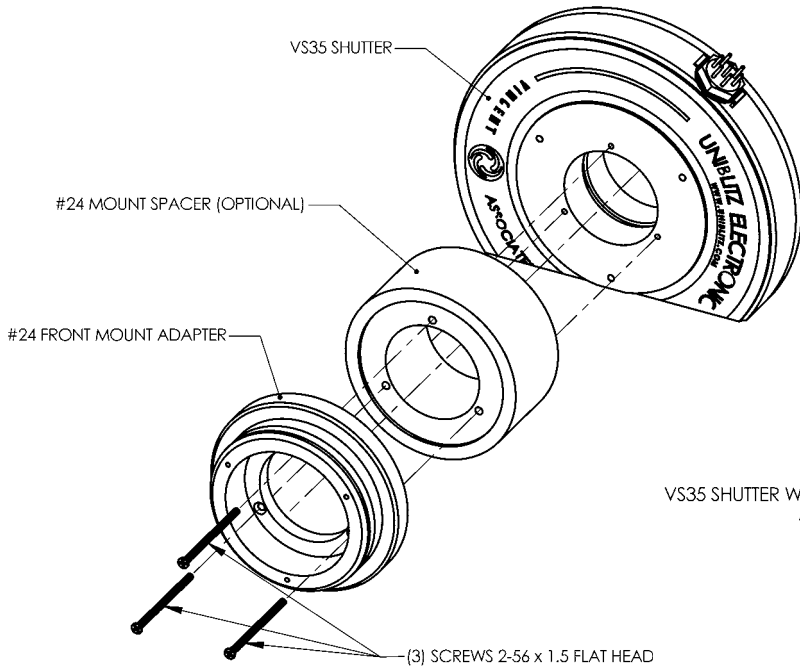


Figure 8

STEP ONE:

Contact Vincent Associates to request #24 mount spacer and 2-56X1 1/2 flat head screws. Using (3) flat head screws (1.5" length), attach #24 front mount and spacer to the front of the shutter housing. (See Figure 8)

STEP TWO:

Screw the rear mount sub-assembly to the back of the shutter housing and tighten securely. (See Figure 9)

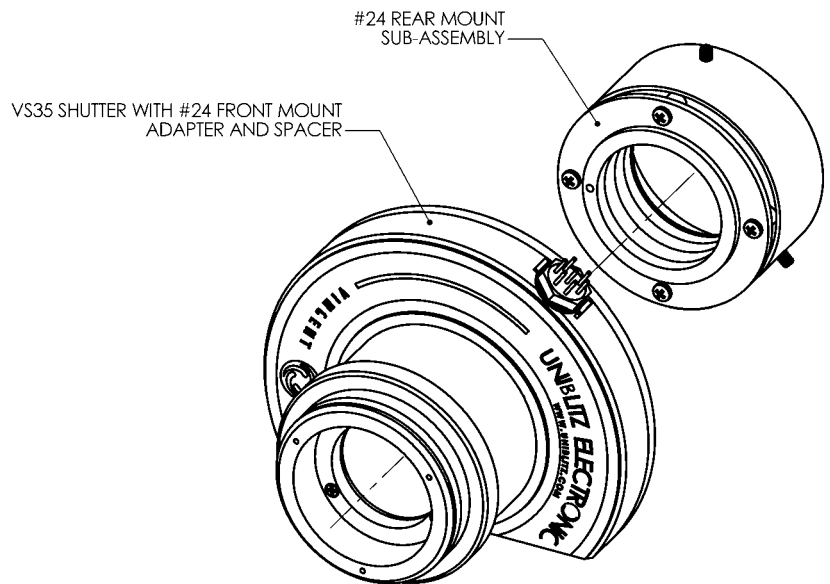


Figure 9

STEP THREE:

#24 mount final installation as shown. (See Figure 10)

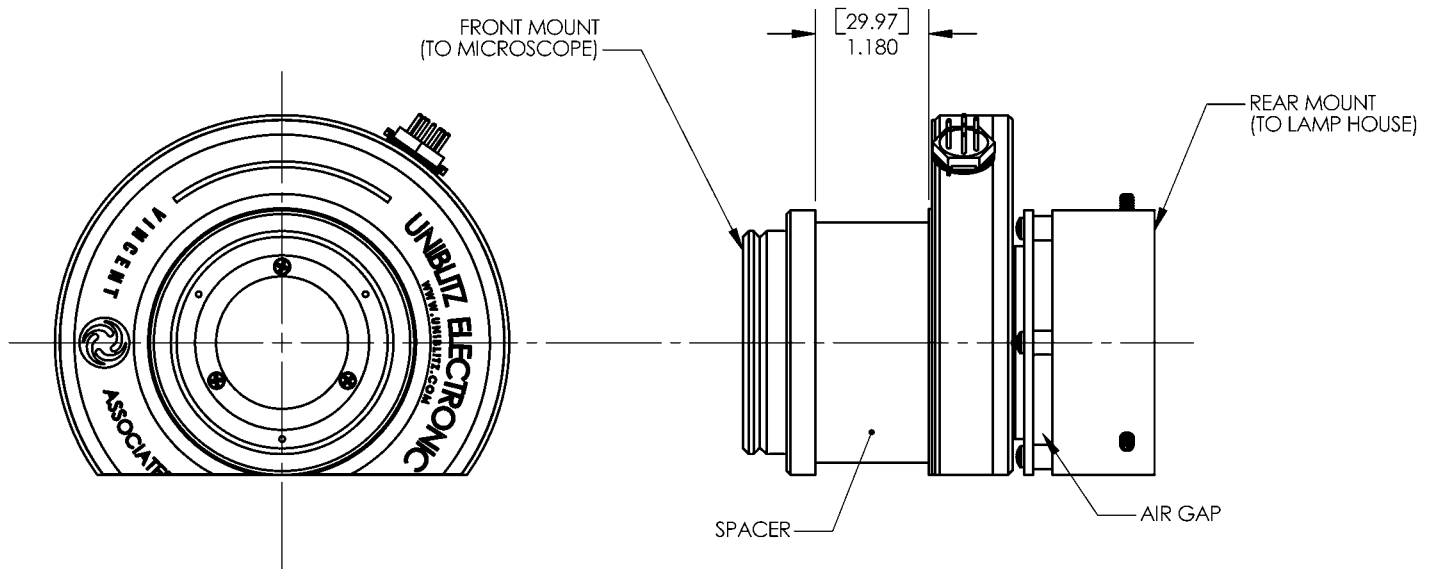


Figure 10