

• UNPACK THE MOUNT SET

As you remove the packing materials from the box, check for small items that may be attached to the packing materials.

Make sure the following parts were included in the box:
 (see parts list table and Figure 1)

#23 MOUNT SET PARTS LIST			
	PART NAME	QUANTITY	PART NUMBER
1	LS/V514/V525/V535 SHUTTER	1	N/A
2	#23 REAR MOUNT SUB-ASSEMBLY	1	9012-451
3	#23 FRONT MOUNT ADAPTER	1	9003-227
4	FLAT HEAD SCREW (2-56x5/16")	3	20-0104
5	SET SCREW (6-32x3/8")	3	20-0155

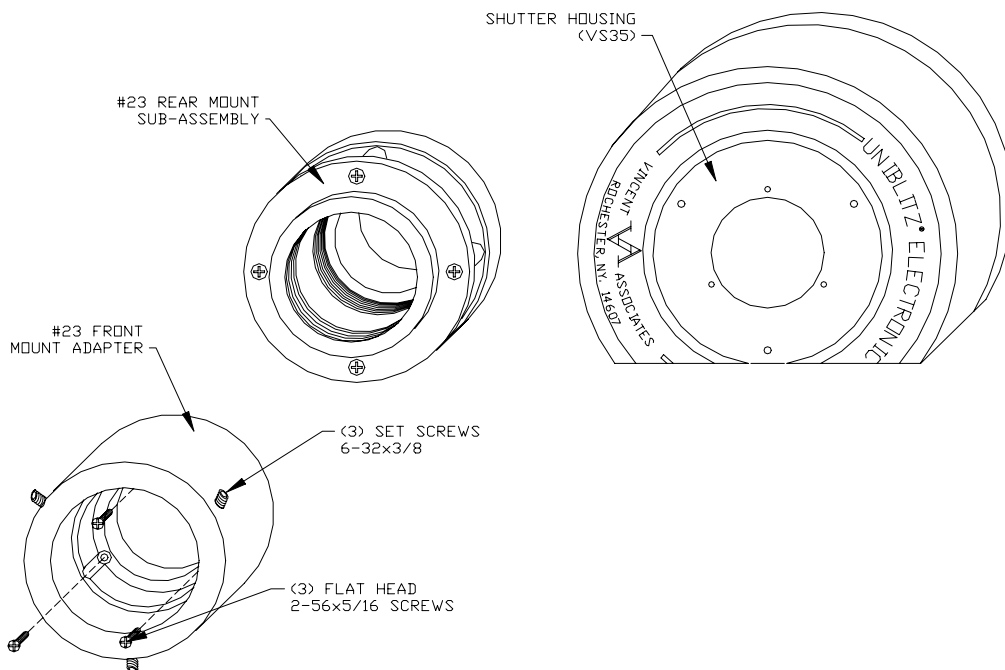


Figure 1

• INSTALLATION STEPS:

STEP ONE:

Using (3) 2-56 flat head screws attach #23 front mount to the front of the shutter housing. (see Figure 2)

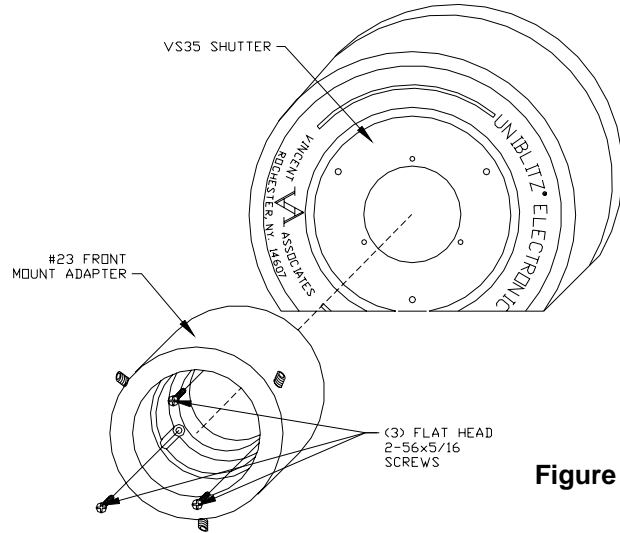


Figure 2

STEP TWO:

Screw the rear mount sub-assembly to the back of the shutter housing, tighten securely. (see Figure 3)

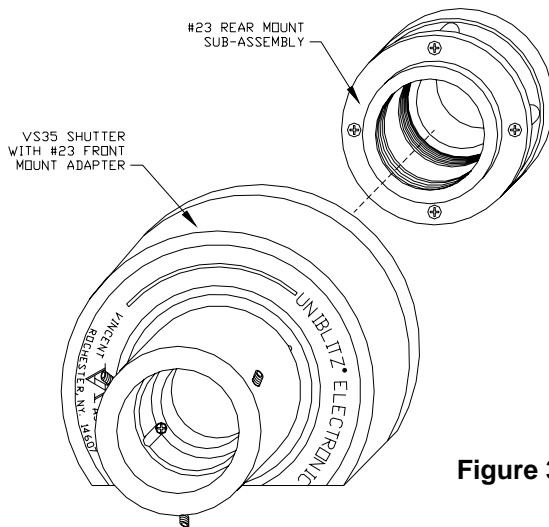


Figure 3

STEP THREE:

#23 mount final installation as shown. (see Figure 4)

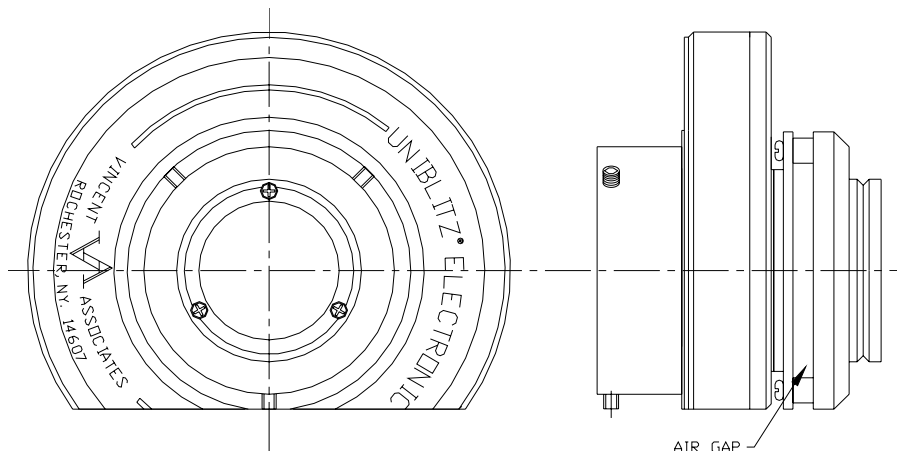


Figure 4