

• **UNPACK THE MOUNT SET**

As you remove the packing materials from the box, check for small items that may be attached to the packing materials.

Make sure the following parts were included in the box:
(see parts list table and Figure 1)

#22 MOUNT SET PARTS LIST			
	PART NAME	QUANTITY	PART NUMBER
1	LS/VS14/VS25/VS35 SHUTTER	1	N/A
2	#22 REAR MOUNT SUB-ASSEMBLY	1	9012-217
3	#22 FRONT MOUNT ADAPTER	1	9003-226
4	FLAT HEAD SCREW 2-56x5/16	3	20-0104

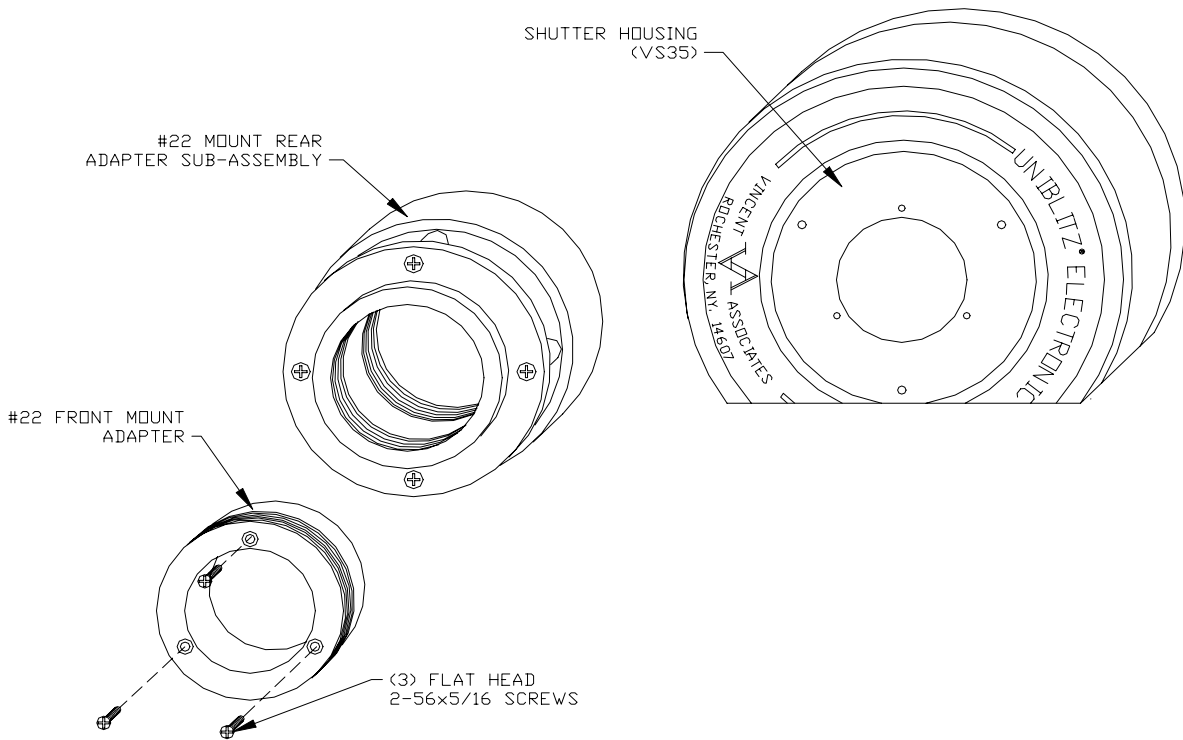


Figure 1

• INSTALLATION STEPS:

STEP ONE:

Using (3) 2-56 flat head screws attach #22 front mount to the front of the shutter housing.
(see Figure 2)

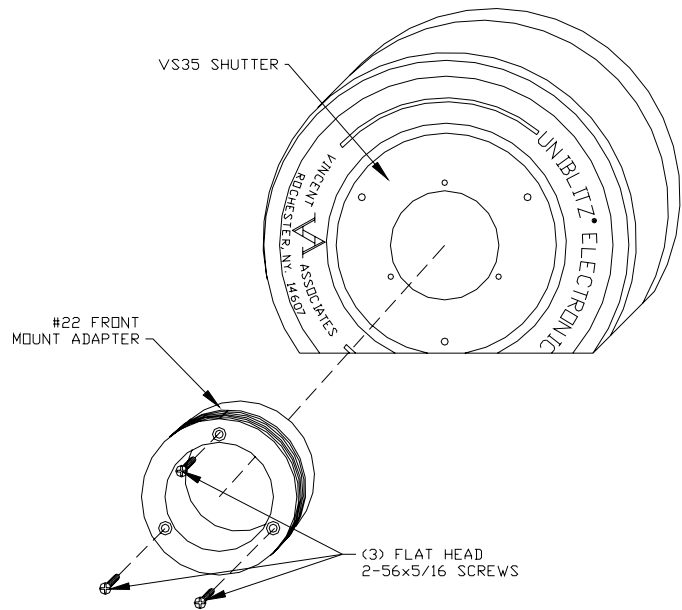


Figure 2

STEP TWO:

Screw the rear mount sub-assembly to the back of the shutter housing, tighten securely.
(see Figure 3)

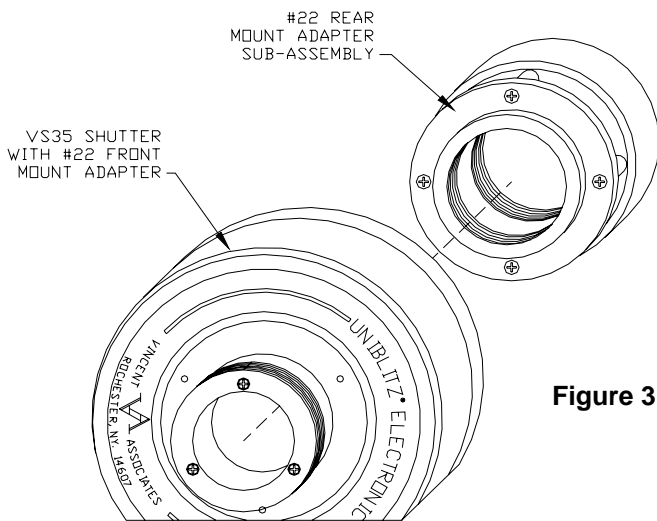


Figure 3

STEP THREE:

#22 mount final installation as shown.
(see Figure 4)

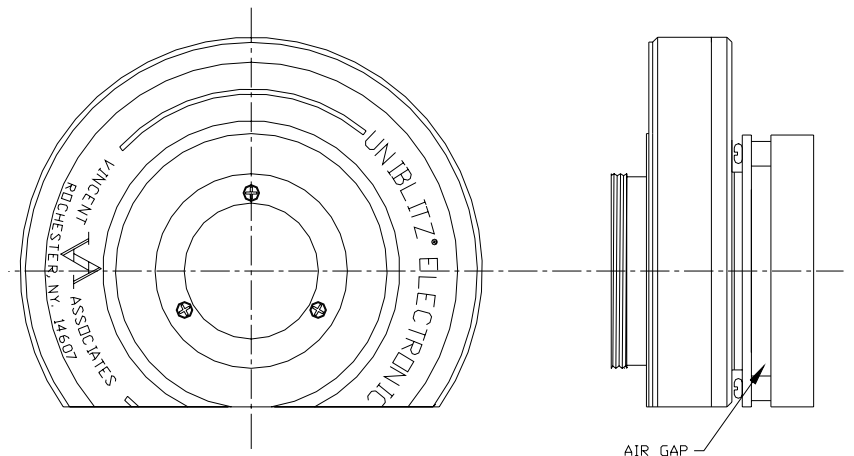


Figure 4