

• **UNPACK THE MOUNT SET**

As you remove the packing materials from the box, check for small items that may be attached to the packing materials.

Make sure the following parts were included in the box:
(see parts list table and Figure 1)

#21 MOUNT SET PARTS LIST			
	PART NAME	QUANTITY	PART NUMBER
1	LS/VS14/VS25/VS35	1	N/A
2	#21 REAR MOUNT	1	9012-0564
3	#21 FRONT MOUNT ADAPTER	1	9003-0225
4	#21 FRONT ADAPTER SPACER	1	9003-0224
4	FLAT HEAD SCREW (2-56x5/16")	3	20-0104
5	SET SCREW (6-32x3/8")	3	20-0155

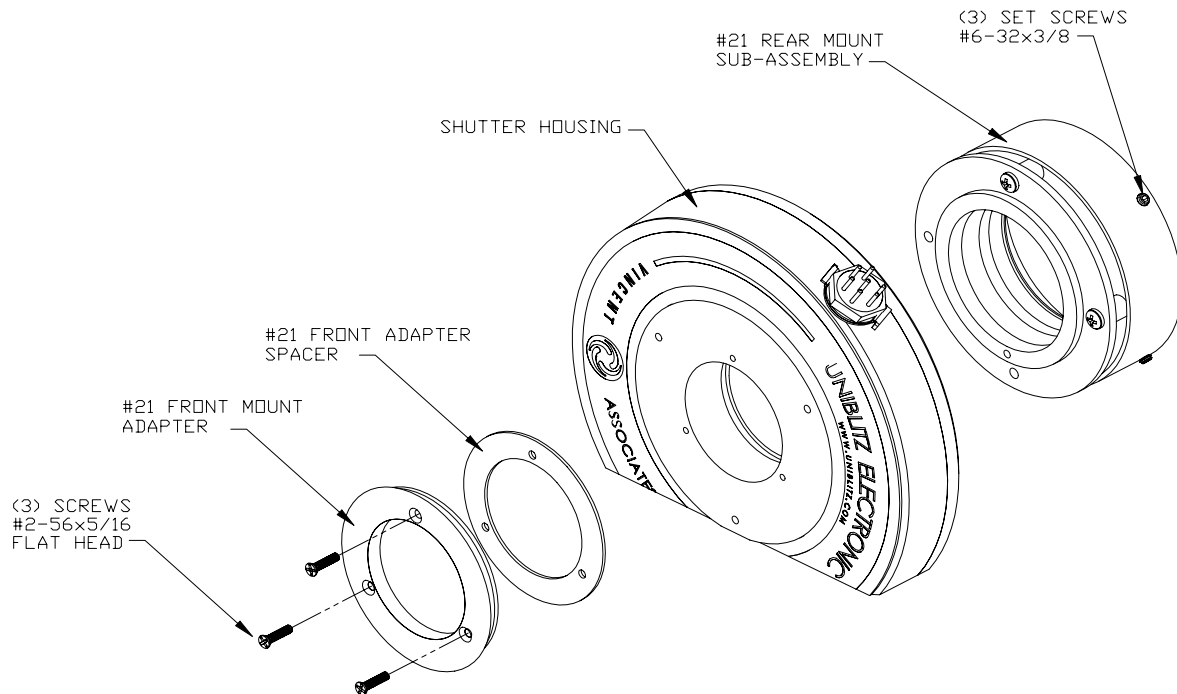


Figure 1

• INSTALLATION STEPS:

STEP ONE:

Using (3) 2-56 flat head screws attach #21 front mount and front spacer* to the front of the shutter housing. (see Figure 2)

*Front spacer may be omitted for attachment to transmitted halogen lamp-housing.

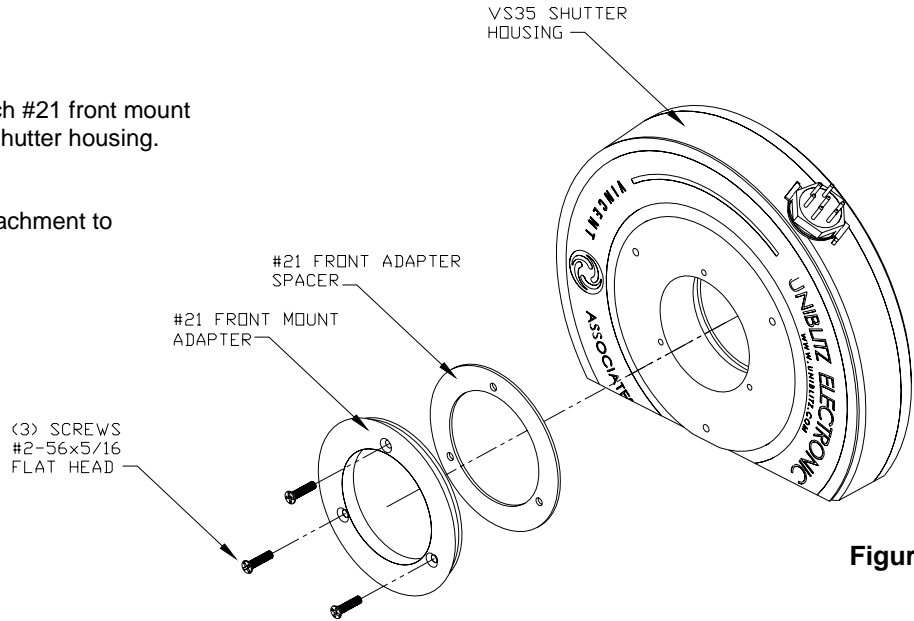


Figure 2

STEP TWO:

Screw the rear mount sub-assembly to the back of the shutter housing, tighten securely. (see Figure 3)

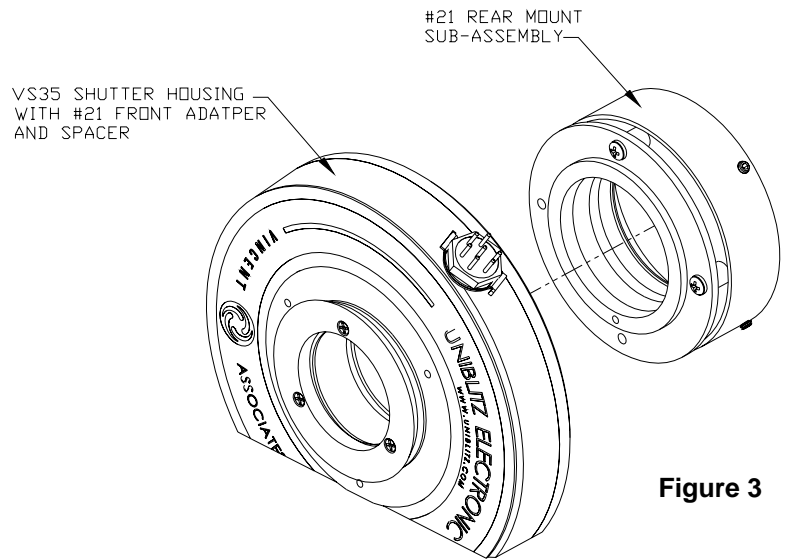


Figure 3

STEP THREE:

#21 mount final installation as shown. (see Figure 4)

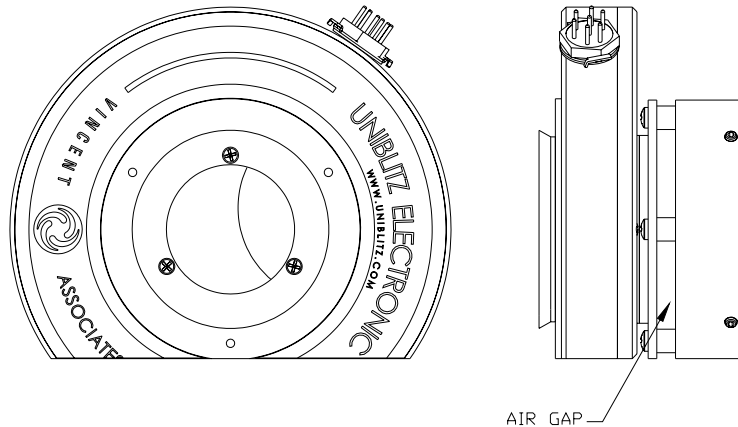


Figure 4