

• UNPACK THE MOUNT SET

As you remove the packing materials from the box, check for small items that may be attached to the packing materials. Make sure the following parts were included in the box:

(See parts list and Figures)

#128 MOUNT ADAPTER ASSEMBLY PARTS LIST			
ITEM	PART NAME	QUANTITY	PART NUMBER
1	HOUSING WITH #17 MOUNT	1	N/A
2	#128 COOKE ADAPTER	1	9003-0341
3	4-40x1/4 SET SCREW	1	20-0149

STEP ONE:

- If shutter is not equipped with 2.000”X40 TPI thread, attach a #135 conversion adapter and secure with set screw.
- If mount is shipped attached to the shutter, loosen set screw (3), un-screw the #128 COOKE adapter from the shutter housing (with #17 front “F” mount adapter. Refer “#17 mount assembly manual”) rear side thread. (see Figure 1, shown is a CS45 shutter housing).

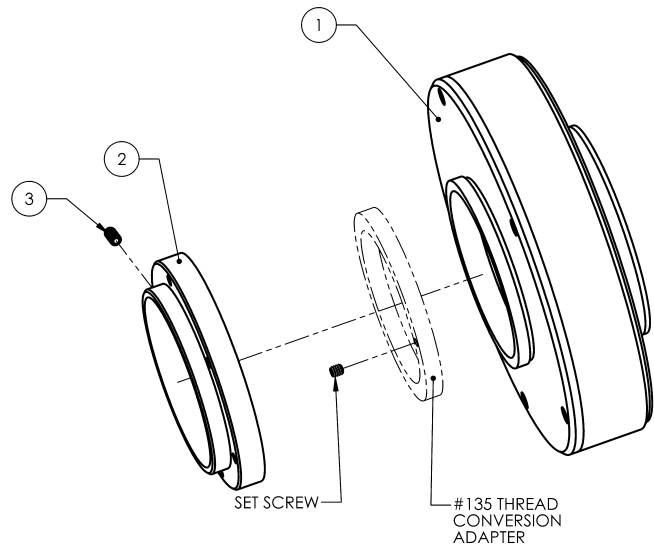


Figure 1

STEP TWO:

- Remove existing mount from COOKE camera, per camera manufacturer's instructions.
- Attach #128 adapter onto COOKE camera front side with (6)-M2.5 screws provided.
- Screw shutter assembly on to #128 adapter and tighten. Secure with set screw included. (see Figure 2)

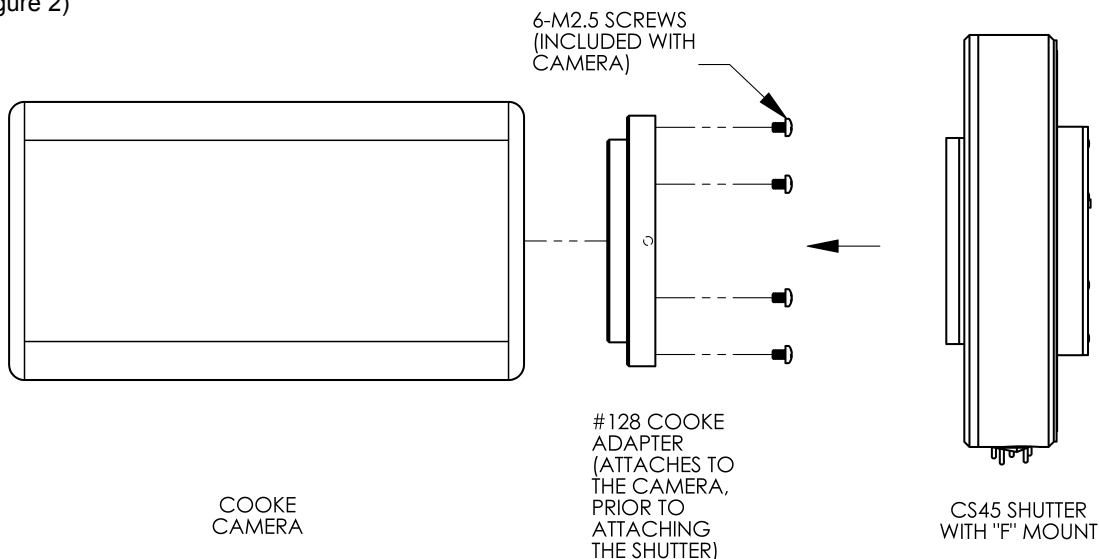


Figure 2