

• UNPACK THE MOUNT SET

As you remove the packing materials from the box, check for small items that may be attached to the packing materials.

Make sure the following parts were included in the box:

(See parts list and Figures)

#127 MOUNT ADAPTER ASSEMBLY PARTS LIST			
ITEM	PART NAME	QUANTITY	PART NUMBER
1	HOUSING WITH #17 MOUNT	1	N/A
2	#127 DALSTAR ADAPTER	1	9003-0340

STEP ONE:

- If shutter is not equipped with 2.000”X40 TPI thread, attach a #135 conversion adapter and secure with set screw included.
- Screw the #127 DALSTAR adapter onto the shutter housing (with #17 front “F” mount adapter. Refer “#17 mount assembly manual” rear side thread, and tighten securely (see Figure 1, shown is a CS45 shutter housing).

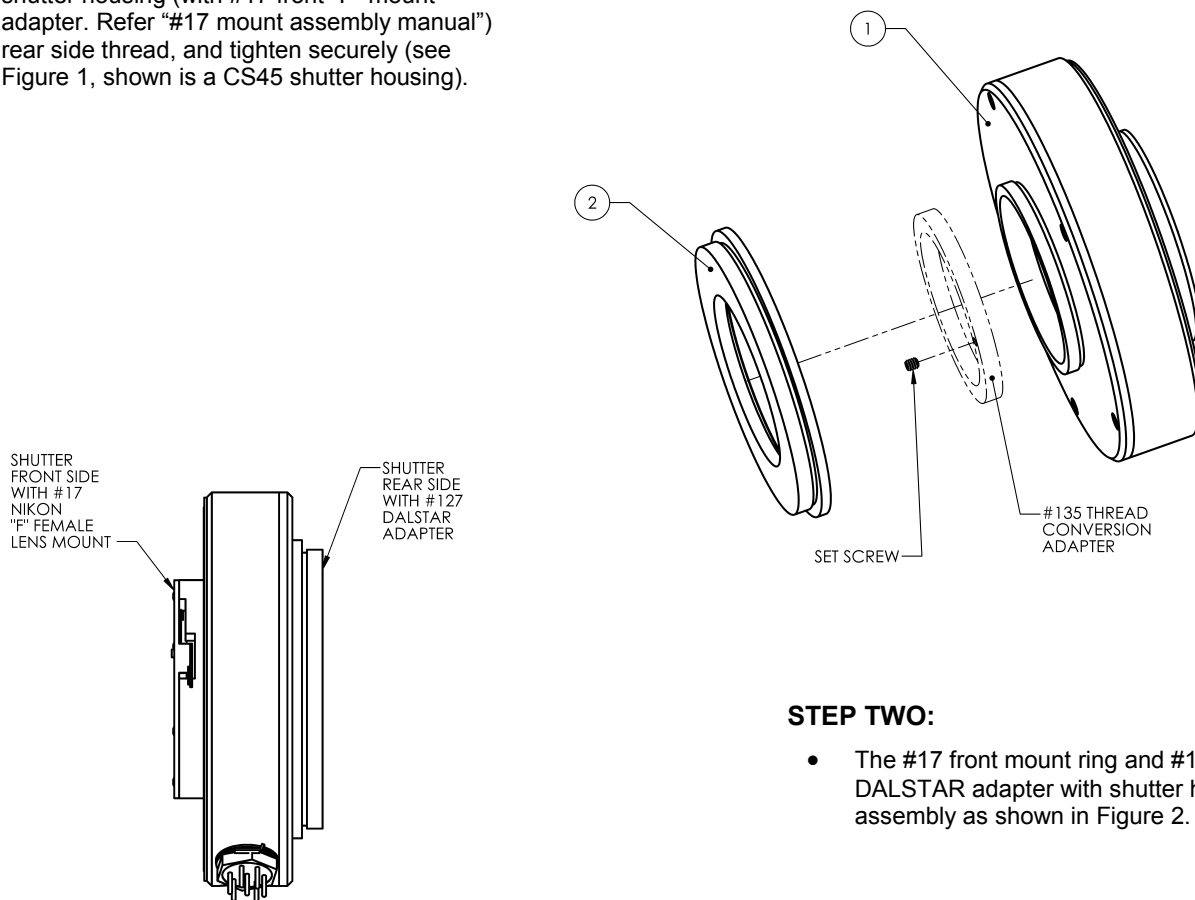


Figure 1

STEP TWO:

- The #17 front mount ring and #127 DALSTAR adapter with shutter housing final assembly as shown in Figure 2.

Figure 2