

• UNPACK THE MOUNT SET

As you remove the packing materials from the box, check for small items that may be attached to the packing materials. Make sure the following parts were included in the box:

(See parts list and Figures)

#126 MOUNT ADAPTER ASSEMBLY PARTS LIST			
ITEM	PART NAME	QUANTITY	PART NUMBER
1	HOUSING WITH #17 MOUNT	1	N/A
2	#126 DOVETAIL RING	1	9003-0323
3	#126 NIKON "F" TYPE MALE ADAPTER	1	9003-0324
4	SET SCREW 4-40x1/4"	3	20-0149

STEP ONE:

- If shutter is not equipped with 2.000"X40 TPI thread, attach #135 conversation adapter and secure with set screw included.
- Screw the #126 dovetail ring (2) onto the shutter housing (with #17 front "F" mount adapter. Refer "#17 mount assembly manual") rear side thread, and secure the Nikon "F" type male adapter onto the dovetail ring by using (3) 4-40X1/4 set screws (see Figure 1, shown is a CS45 shutter housing)

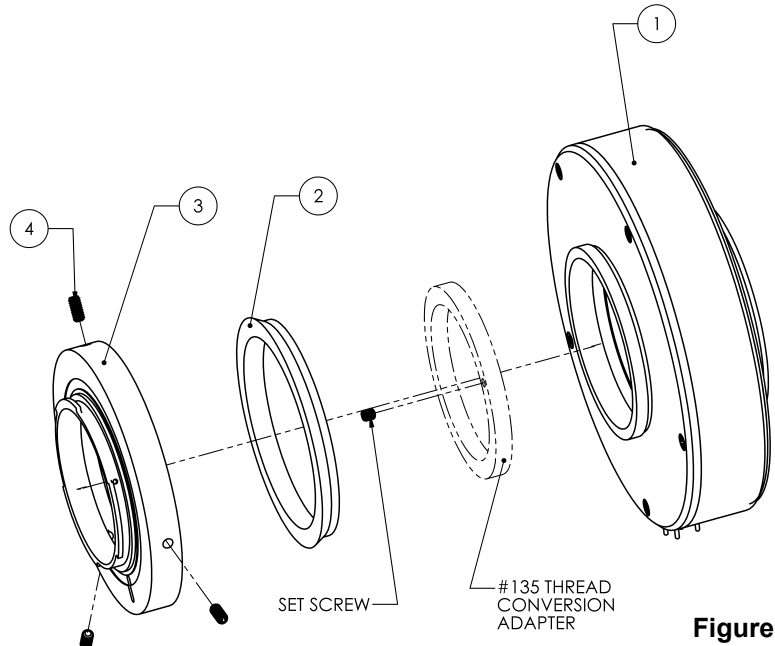


Figure 1

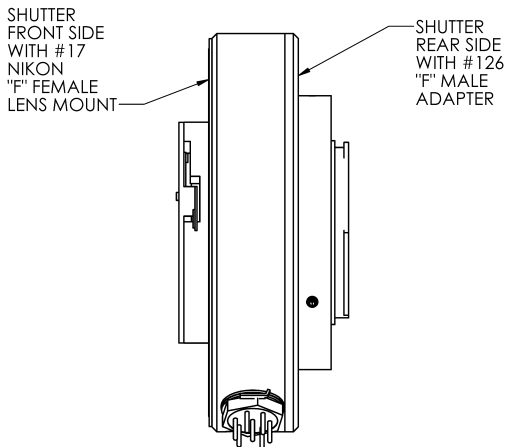


Figure 2

STEP TWO:

- The #17 front mount ring and #126 Nikon "F" type male adapter with shutter housing final assembly as shown in Figure 2.