

• **UNPACK THE MOUNT SET**

As you remove the packing materials from the box, check for small items that may be attached to the packing materials. Make sure the following parts were included in the box:
(See parts list and Figures)

#125 MOUNT ADAPTER ASSEMBLY PARTS LIST			
ITEM	PART NAME	QUANTITY	PART NUMBER
1	SHUTTER HOUSING WITH #17 MOUNT	1	N/A
2	#125 CAMELIA MOUNT	1	9003-0315
3	#0-80x1" SCREW	2	20-0102

STEP ONE:

- If shutter is not equipped with 2.000”X40 TPI thread, attach #135 conversion adapter, and secure with set screw included.
- Screw the #125 mount onto the shutter housing (with #17 front “F” mount adapter) rear side thread, and tighten securely (see Figure 1, shown is a CS45 shutter housing).

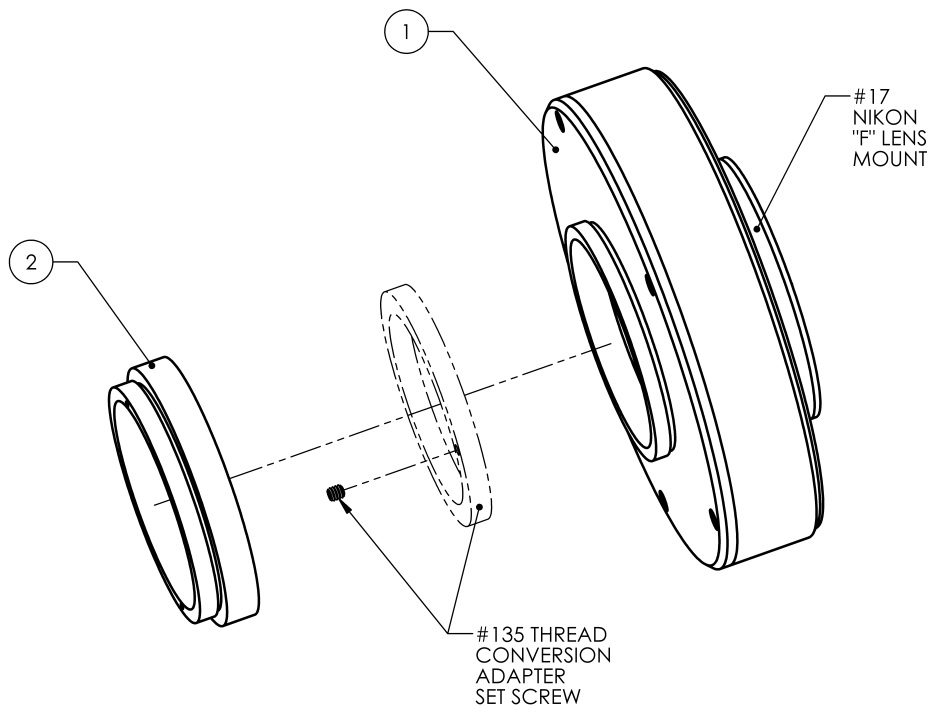


Figure 1

STEP TWO:

- Screw the shutter housing with #125 mount onto the Camelia camera front side (internal thread), see Figure 2. Secure per camera manufacturer's instructions.

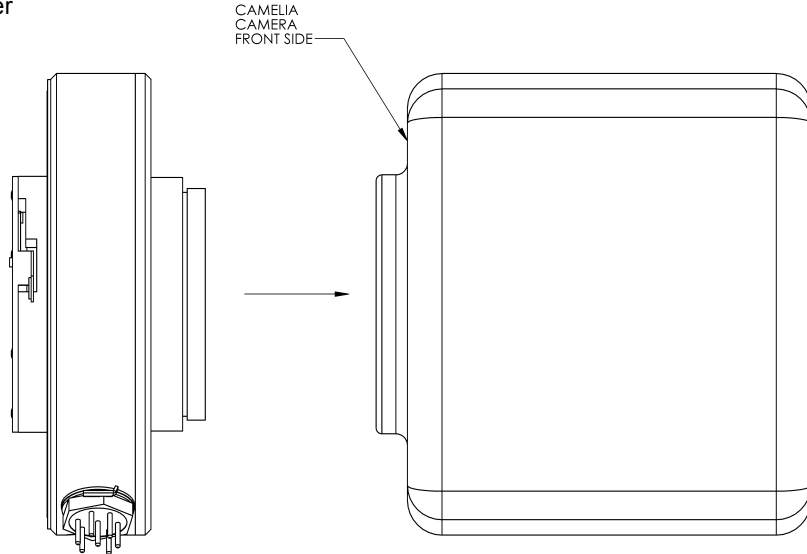


Figure 2

NOTES:

When removing the shutter housing from the camera if the #125 mount is left in the camera, follow the steps below (shown in Figure 3):

1. Screw two #0-80x1" screws provided into the #125 mount
2. Grasping the two #0-80x1" screws (between your thumb and fore finger) un-screw the #125 mount in the direction shown.

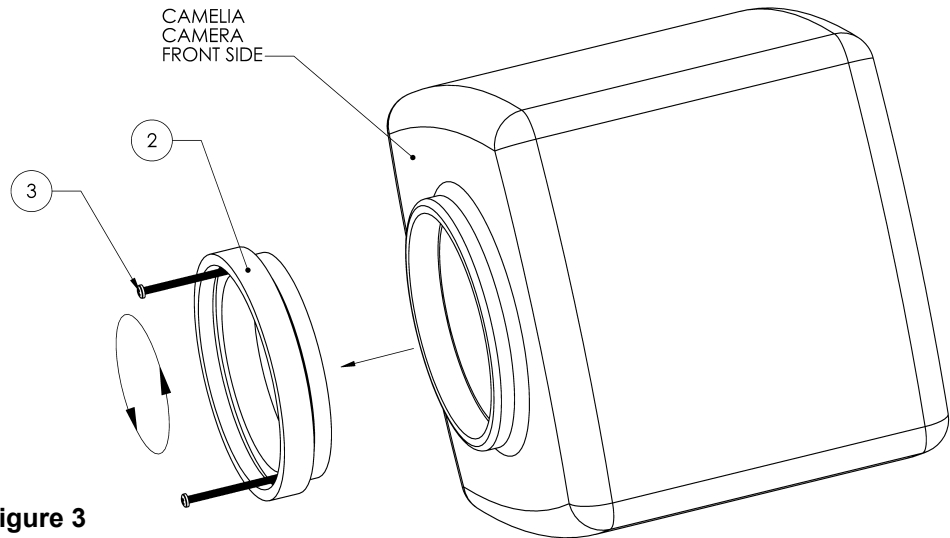


Figure 3